

PLATES / BELAY STATIONS ANCHOR BOLTS



EN Anchor plates / anchor bolts / belay stations
IT Piastrine di ancoraggio / tasselli / soste
FR Plaquettes d'ancrage / gujons / relais
DE Anschlagsvorrichtungen / Dübel / Standplätze
ES Placas de anclaje / tacos / punto de anclaje
PT Placas de ancoragem / pinos / paradas
SE Förankringsplattor / pluggar / standplatser
FI Ankkurilevyt / istukkaat / varmistuspaikat
NO Forankringsplater / forankringsbolter / taubremser
GR Αγκυρία / βύσματα / σταματηματα
CN 挂片/锚点螺栓/保护站

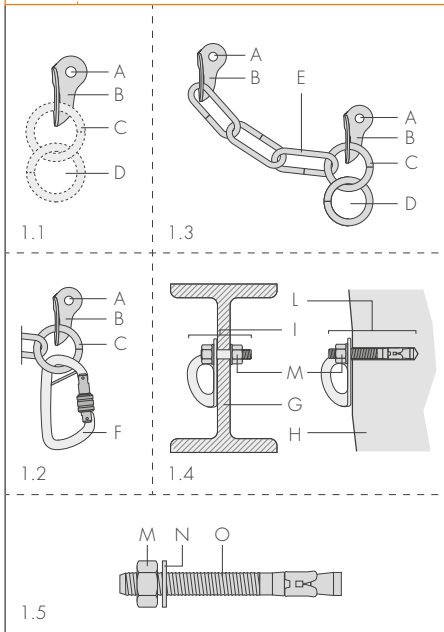
MADE IN ITALY

EN 959:2007

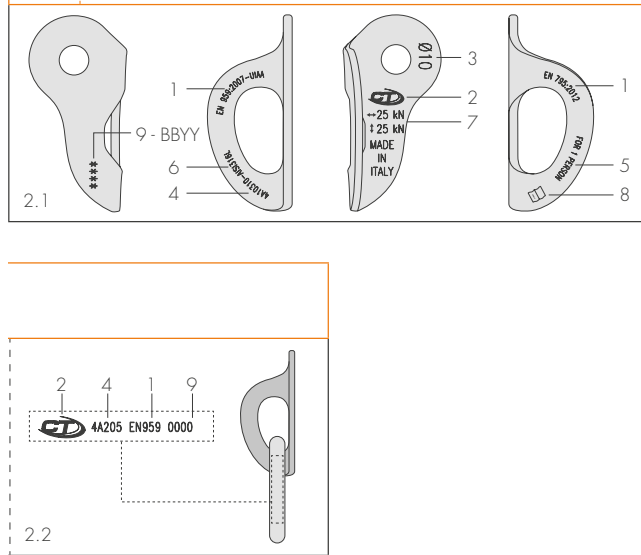
EN 795:2012-A



1 NOMENCLATURE



2 MARKING



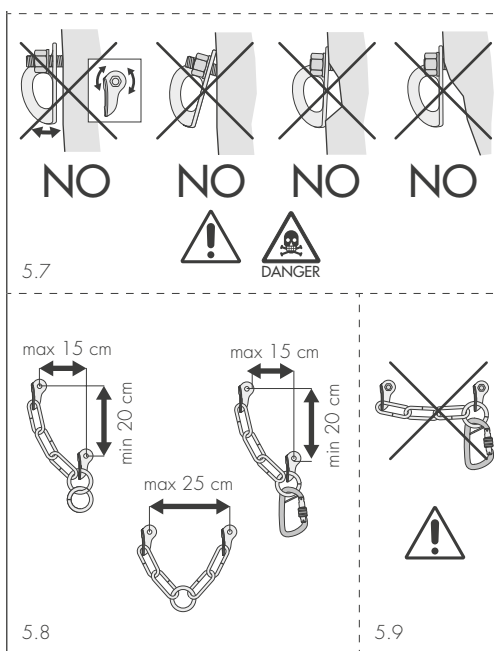
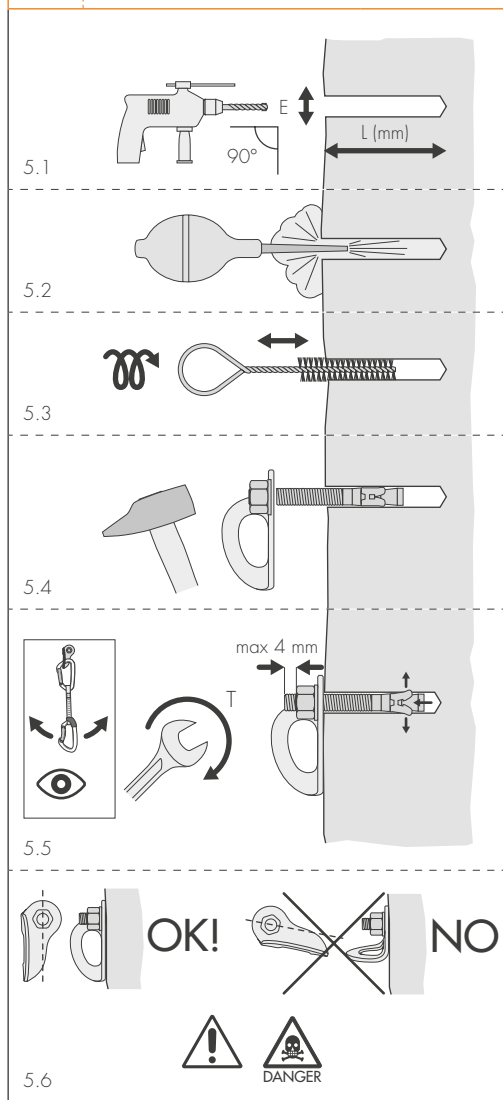
3 PLATES / BELAY STATION - MODELS CHART / TECHNICAL DATA

Model	Ref. No.	Ø (Fig. 1.1)		XX		YY			Standards	Main materials
				(Fig. 1.1)	(Fig. 1.1)	(Fig. 1.1)	(Fig. 1.1)			
PLATE 8	4A10308	8 mm	46 g	10 kN	10 kN	4A104075	NO	STAINLESS STEEL AISI 316 L		
PLATE 10	4A10310	10 mm	45 g	25 kN	25 kN	4A105090	EN 795:2012-A EN 959:2007 UIAA-123			
PLATE 12	4A10312	12 mm	42 g	25 kN	25 kN	4A106110				
PLATE RING 10	4A21510	10 mm	109 g	25 kN	25 kN	4A105090				
PLATE RING 12	4A21512	12 mm	107 g	25 kN	25 kN	4A106110	EN 795:2012-A EN 959:2007 UIAA-123			
PLATE RINGS 10	4A21310	10 mm	173 g	25 kN	25 kN	4A105090				
PLATE RINGS 12	4A21312	12 mm	171 g	25 kN	25 kN	4A106110	EN 795:2012-A EN 959:2007 UIAA-123			
PLATE KIT 10S	4K15010	10 mm	90 g	15 kN	25 kN	4A105060 INCLUDED				
PLATE KIT 10	4K15110	10 mm	105 g	25 kN	25 kN	4A105090 INCLUDED				
PLATE KIT RING 10	4K15210	10 mm	169 g	25 kN	25 kN	4A105090 INCLUDED				
PLATE KIT RINGS 10	4K15310	10 mm	233 g	25 kN	25 kN	4A105090 INCLUDED				
PLATE KIT 12	4K15412	12 mm	142 g	25 kN	25 kN	4A106110 INCLUDED				
PLATE KIT RING 12	4K15512	12 mm	207 g	25 kN	25 kN	4A106110 INCLUDED	EN 959:2007 UIAA-123			
PLATE KIT RINGS 12	4K15612	12 mm	271 g	25 kN	25 kN	4A106110 INCLUDED				
PLATES BELAY STATION R 10	4A218	10 mm	350 g	25 kN	25 kN	4A105090				
PLATES BELAY STATION R 12	4A21812	12 mm	344 g	25 kN	25 kN	4A106110				
PLATES BELAY STATION 10	4A221	10 mm	450 g	25 kN	25 kN	4A105090				
PLATES BELAY STATION 12	4A22112	12 mm	444 g	25 kN	25 kN	4A106110				
PLATES BELAY STATION S 10	4A219	10 mm	340 g	25 kN	25 kN	4A105090	EN 959:2007 UIAA-123			
PLATES BELAY STATION S 12	4A21912	12 mm	334 g	25 kN	25 kN	4A106110				
PLATE 12 HCR	4A10712	12 mm	45 g	25 kN	25 kN	4A108110	EN 959:2007 UIAA-123	STAINLESS STEEL HCR AISI 904L		
PLATE KIT 12 HCR	4K15712	12 mm	148 g	25 kN	25 kN	4A108110 INCLUDED		STAINLESS STEEL HCR AISI 904L / AISI 926		

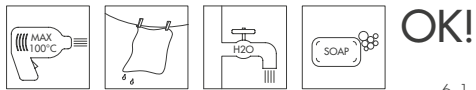
4 ANCHOR BOLTS - MODELS CHART / TECHNICAL DATA

Model	ANCHOR BOLT 8	ANCHOR BOLT 10S	ANCHOR BOLT 10	ANCHOR BOLT 12	ANCHOR BOLT 12 HCR
Ref. No.	4A104075	4A105060 NOT SOLD INDIVIDUALLY	4A105090	4A106110	4A108110
Size	Ø 8 X 75 mm	Ø 10 X 60 mm	Ø 10 X 90 mm	Ø 12 X 110 mm	Ø 12 X 110 mm
Main materials	STAINLESS STEEL AISI 316L				STAINLESS STEEL HCR AISI 926
Weight	30 g	45 g	60 g	100 g	103 g
Drilling hole "E" (Fig. 5.1)	Ø 8 mm	Ø 10 mm	Ø 10 mm	Ø 12 mm	Ø 12 mm
Drilling depth "L" (Fig. 5.1)	85 mm	70 mm	100 mm	120 mm	120 mm
Wrench	13	17	17	19	19
Torque	15 N m	25 N m	25 N m	50 N m	50 N m
Rock	Soft limestone	NO	NO	OK	OK
	Limestone	OK	OK	OK	OK
	Granite	OK	OK	OK	OK

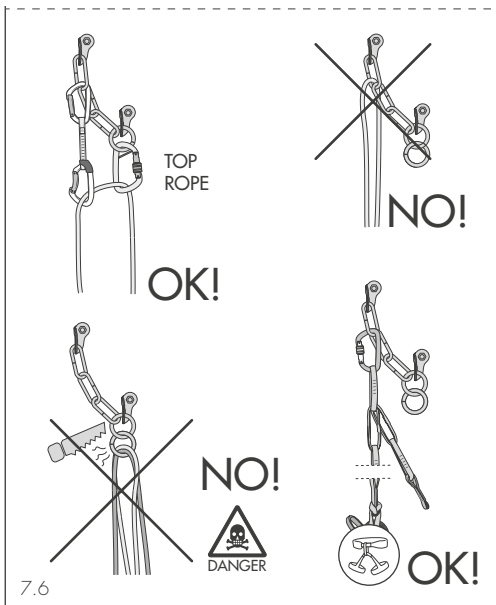
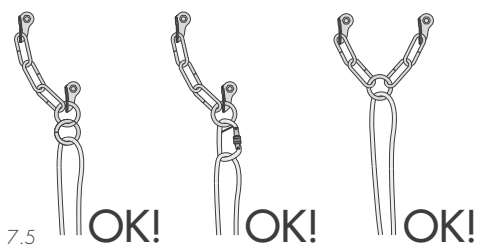
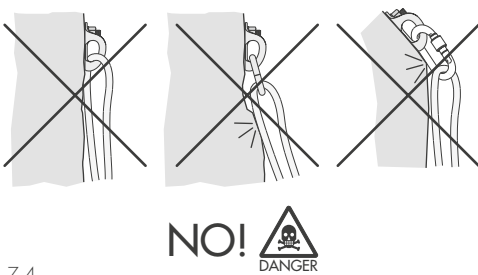
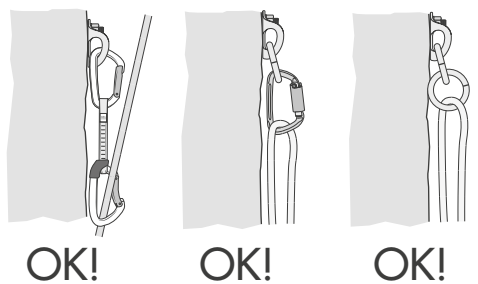
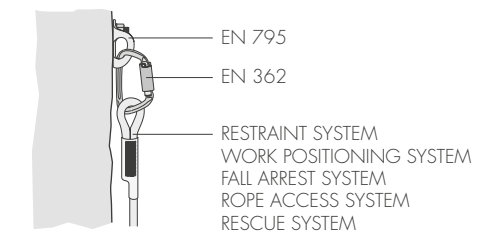
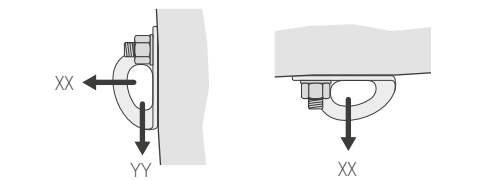
5 INSTALLATION






6 WARNINGS



7 INSTRUCTIONS FOR USE



A DEVICE IDENTIFICATION SHEET

(A) Trademark.	
(B) Manufacturer.	Aludesign S.p.A. Via Torchio 22, 24034 Cisano B.sco (BG) ITALY. climbingtechnology.com
(C) Product (type, model, code)	
(D) User (company, name and address)	
(E) Serial number / batch	
(F) Year of manufacture	
(G) Purchase date.	
(H) Date of first use.	
(I) Expiry date.	
(L) Reference standards.	<input type="checkbox"/> EN 959:2007 <input type="checkbox"/> EN 795:2012-A <input type="checkbox"/> UIAA-123
(M)  SUDEUROPE SAS NOTIFIED BODY "0082" 8, rue Jean-Jacques Vernazza Z.A.C. Saumaly-Séon CS60193 13322 MARSEILLE CEDEX 16 FRANCE	(M)  Ostrava - Radvanice VWU a.s. NOTIFIED BODY "1019" Pikartska 1337/7 716 07 Ostrava - Radvanice CZECH REPUBLIC

B DEVICE PERIODIC CHECK SHEET.

No.	(O) Date.	(P) Reason for check.	(Q) Name and signature of the person responsible for checking.	(R) Notes (defects found, repairs performed or other relevant information)	(S) Check results.	(T) Date of next check.
1		<input type="checkbox"/> Periodic check. <input type="checkbox"/> Additional check.			<input type="checkbox"/> Device fit for use. <input type="checkbox"/> Device unfit for use. <input type="checkbox"/> Device to be checked.	
2		<input type="checkbox"/> Periodic check. <input type="checkbox"/> Additional check.			<input type="checkbox"/> Device fit for use. <input type="checkbox"/> Device unfit for use. <input type="checkbox"/> Device to be checked.	
3		<input type="checkbox"/> Periodic check. <input type="checkbox"/> Additional check.			<input type="checkbox"/> Device fit for use. <input type="checkbox"/> Device unfit for use. <input type="checkbox"/> Device to be checked.	
4		<input type="checkbox"/> Periodic check. <input type="checkbox"/> Additional check.			<input type="checkbox"/> Device fit for use. <input type="checkbox"/> Device unfit for use. <input type="checkbox"/> Device to be checked.	
5		<input type="checkbox"/> Periodic check. <input type="checkbox"/> Additional check.			<input type="checkbox"/> Device fit for use. <input type="checkbox"/> Device unfit for use. <input type="checkbox"/> Device to be checked.	
6		<input type="checkbox"/> Periodic check. <input type="checkbox"/> Additional check.			<input type="checkbox"/> Device fit for use. <input type="checkbox"/> Device unfit for use. <input type="checkbox"/> Device to be checked.	
7		<input type="checkbox"/> Periodic check. <input type="checkbox"/> Additional check.			<input type="checkbox"/> Device fit for use. <input type="checkbox"/> Device unfit for use. <input type="checkbox"/> Device to be checked.	
8		<input type="checkbox"/> Periodic check. <input type="checkbox"/> Additional check.			<input type="checkbox"/> Device fit for use. <input type="checkbox"/> Device unfit for use. <input type="checkbox"/> Device to be checked.	
9		<input type="checkbox"/> Periodic check. <input type="checkbox"/> Additional check.			<input type="checkbox"/> Device fit for use. <input type="checkbox"/> Device unfit for use. <input type="checkbox"/> Device to be checked.	
10		<input type="checkbox"/> Periodic check. <input type="checkbox"/> Additional check.			<input type="checkbox"/> Device fit for use. <input type="checkbox"/> Device unfit for use. <input type="checkbox"/> Device to be checked.	

The instruction manual for this device consists of general and specific instructions, both must be carefully read and understood before use. **Attention!** This leaflet shows the specific instruction only.

SPECIFIC INSTRUCTIONS PLATE / ANCHOR BOLTS / BELAY STATIONS.

1) FIELDS OF USE. EN 795:2012 type A: anchor device, reserved for use by a single person. EN 959:2007 and UIAA-123: anchor for rock climbing for protection against falls from above. **Attention!** An anchor is defined as such when formed from the combination of a bolt and a plate. To install an anchor that complies with the regulations indicated in the table (Fig. 3) and to get the guaranteed minimum loads (Fig. 3) you must respect the indicated bolt / plate combinations with which the required standard tests have been exceeded. Attention! An abseil point or an anchor is defined as such when it consists of two correctly installed anchors.

2) NOMENCLATURE OF PARTS (Fig. 1). A) Hole for fixing bolts/screws; B) Body of plate; C) Ring (only for 4A213 / 4A218 models); D) Anchor ring; E) Connecting chain; F) Anchor connector. Examples of anchor system (Fig. 1.4): G) Metal structure; H) Support made of rock or concrete. I) Removable fixing bolt (Screw, nut and washer); L) Irremovable fixing bolt (Screw, nut and washer). M) Fixing nut. N) Washer. O) Bolt.

3) MARKING. On the device the following information is engraved (Fig. 2): 1) Applicable legislation/standards. 2) Name of the manufacturer or of the responsible person for the introduction into the market. 3) Diameter of the hole. 4) Product model. 5) Indication that the product must only be used by one person at a time. 6) Construction material (Stainless steel AISI 316L / AISI 904L). 7) Minimum guaranteed load from the anchor (Fig. 3/7.1). 08) Logo advising the user to carefully read the instruction manual before use. 09) Batch number (BB) and year of production (YY).

4) CHECKS. Before each use check that: there are no signs of wear, cracking, corrosion or deformation; the fixing nut is securely tightened; the anchor hole has no sharp edges or cuts; the anchor devices is not dirty (eg. sand or mud).

4.1 - EN 795:2012 CHECKS. Before each use it is also necessary to: ensure that all of the equipment has the correct standards reference and that it is in perfect working order; ensure that the maintenance records of each piece of equipment are correct and up to date; carefully consider the safest access routes, be suitably equipped and prepared with regards to emergency procedures for rescuing any of the operators in difficulty; check in case of use in a fall arrest system, the necessary free space under the operator in the working site so that, in the event of a fall, the operator will not hit against the ground or other obstacles on the fall trajectory.

Attention! If the hanger has been loaded during the arresting of a fall it should not be used and must be replaced.

5) INSTALLATION / USE. When choosing how to mount the anchors, it is necessary to carefully evaluate the quality and condition of the support (see 5.1), compatibility with other components and the influence of external factors on (e.g. proximity to the sea) on lifetime (see 5.2), climatic conditions, the outside temperature (-40°C÷80°C) and possible electrical currents (which depend on the type of rock, cement, earthing) present in the support.

5.1 - Support. An anchor has verified and guaranteed load-bearing capabilities (Fig. 3-7.1). However these load-bearing capabilities cannot be guaranteed if the support into which the anchor is inserted is less strong or less homogeneous than the block of cement used during the testing (Compressive strength 50 N/mm²).

Attention! Soft rock (e.g. sandstone, conglomerate, etc.) or areas of rocks which are not solid (presence of cracks, empty voids, etc.) can have bearing capacities not sufficient to grant the minimum breaking strengths. In such cases, to obtain the desired load-bearing capacity, it may be necessary to use a longer fixing bolt or choose a stronger place to install the anchor (this alternative is to be preferred whenever possible). In some cases, it may be appropriate to effect test installations with a range of different fixing types or lengths, and test the load-bearing capacity in-situ.

5.2 - Lifetime. Lifetime and breaking load can be drastically reduced due to corrosion. The corrosion can occur when the metal of the bolt is different from the metal of the plate (galvanic corrosion), for this reason, as per standard EN 959, all parts of the rock anchor must be made of the same material. Therefore, only screws, bolts, nuts and washers from the same class of stainless steel should be used. (AISI 316L or HCR AISI 904L / AISI 926). **Attention!** The use in a marine environment (a crag by the sea, or in any other very corrosive environment) due to the corrosion, the duration of the anchor is greatly reduced: in which case the frequency of periodic inspections should be increased (every six months) both of the plate and of the fixing system. Attention! The corrosive effects of the sea can even be observed several km inland from the sea.

5.3 - HCR Series. The models of the HCR series are made of HCR high corrosion resistance stainless steel (AISI 904L, AISI 926 etc.). They are ideal for use in highly corrosive environments (e.g. crags close to the sea) where the anchor maybe subject to stress corrosion (Stress Corrosion Cracking). **Attention!** The 4A10712 plate must only be used with the 4A108110 bolt. Attention! For the life span,

please follow the instructions provided in paragraph 2.

5.4 - Installation / Removal (Fig. 5). The installation of the hanger must be carried out by competent persons or organisations and appropriately checked. For installation in rock or concrete, proceed as follows: check the quality of the support around the anchor making sure that the rock is compact and consistent; drill a hole with an adequate diameter and depth (Fig. 5.1); thoroughly clean the hole with a jet of air (Fig. 5.2) and then with a brush (Fig. 5.3); insert the bolt with the plate all the way into the hole (Fig. 5.4); tighten the fixing nut with a torque wrench, tightening to the prescribed torque (Fig. 5.5). After each installation, make sure that the quickdraw moves freely in the plate (Fig. 5.5). Use a screw with a diameter that is appropriate to that of the hanger (for example, a diameter of 12 mm for the hanger with a 12 mm diameter). **Attention!** If the screw protrudes too far, this may impede the free movement of the quickdraws in the plate (max 4 mm - Fig. 5.5). The hanger can be removed by unscrewing the nut on the bolt fixed into the rock, removing the hanger and checking that it has no defects which would compromise its reuse. **Attention!** If the hanger is reused elsewhere, tighten the nuts with a torque wrench, tightening to the prescribed torque. Attention! The 4A10308 plate does not conform with the standards EN 959 and EN 795 type A. Attention! Verify that the devices (ropes, quickdraws, restraint systems etc.) that are connected to the anchor do not rub against abrasive or sharp edges.

5.5 - Installation of the belay stations. For the positioning of the belay stations (mod. 4A218, 4A219, 4A221), the distances between the two anchors as indicated (Fig. 5.8) must be respected and proceed with the installation as indicated in section 5.3. **Attention!** For an installation that complies with the standards referred to in the articles 4A218, 4A221 and 4A222 must be installed with the 4A105090 bolt, whereas the articles 4A21812, 4A22112 and 4A22212 must be installed with 4A106110 bolt.

5.6 - EN 959:2007 warnings. Any activity carried out at a height of more than two metres requires the use of Personal Protection Equipment (PPE) as a protection against the risk of a fall. Before accessing the work station, all the risk factors must be evaluated (environmental, concomitant, consequential). The anchor must only be used by one person. To connect the hanger to the anchor hole, use a connector complying with EN 362 with a locking system (Fig. 7.2). When the anchor is part of a fall arrest system; the user must be equipped with devices which limit the load developed during the fall to 6 kN or less; it is essential for safety that it is always correctly positioned and that work is carried out in such a way as to reduce to a minimum the risk of a fall and the length of a fall; A fall arrest harness EN 361 is the only body harness that is allowed to be used; the anchor of the system should preferably be located above the user's location and must meet the standards EN 795 (minimum strength 12 kN). Important! If the anchor is deformed or bent in any way, do not use it and substitute it immediately. Attention! The anchor equipment is only for use in anti-fall systems and is not for lifting weights.

Installation notes. Make sure that markings are accessible and legible; if necessary apply an additional marking next to the anchor. One copy of the installation documentation must be handed over to the user, and kept at the place of work. This contains information on the correct installation and maintenance of the anchor. This documentation is fundamental for the periodic checks of the anchors. The installation documentation must contain as a minimum the following information: A) Address and position of the anchor; B) Details of the firm that has carried out the installation; C) Name of the employee who carried out the installation; D) Product identification (producer, type, model...); E) Fixing system specification (constructor, production, maximum axial and shear loads,...); F) Schematic installation diagram (e.g. of a roof), and important information for users, e.g. where anchor points are located (e.g. important for a roof when it is covered with snow). This schematic plan must be displayed in the building/place of work so that it is visible for all. The installer must supply a signed declaration, in which it is stated that he anchor : A) was installed according to the manufacturer's instructions; B) was installed according to the safety plan; C) it was fixed to the specified support; D) it was fixed as specified (e.g. number of bolts, correct material, correct position,...); E) it was supplied with photographic documentation (in particular where fixing elements and supports are not visible after installation). **Attention!** It is recommended that, where more than one anchor point has been installed, that each anchor is identified with a number by which it is referred to on the identification and control sheet and on the schematic installation plan.

5.7 - EN 959:2007 WARNINGS. Approved uses are shown in the illustrations (Fig. 7.3÷7.6). To connect to the hole of the anchor a connector that is compliant with standard EN 12275 must be used.

6) PERIODIC CHECK. At least every 12 months (6 months for usage in the sea), a rigorous check of the device must be carried out by the manufacturer or expert staff expressly certified by the manufacturer. This frequency can vary depending on the frequency and intensity of usage. Performing periodic checks on a regular basis is essential to ensure the continued efficiency and durability of the device, on which the safety of the user depends. The results of the checks will be related on the appropriate sheet that is supplied with every device and that must accompany the device. **Warning!** If the sheet is missing, or illegible, do not use the device. Device identification sheet (Fig. A): A) Trademark; B) Manufacturer; C) Product (type, model, code); D) User (company, name and address); E) Serial number / batch; F)

Year of manufacture; G) Purchase date; H) Date of first use; I) Expiry date; L) Reference standards; M) Laboratory that performed the conformity test. **Device periodic check sheet (Fig. B):** O) Date; P) Reason for check: periodic check or additional check; Q) Name and signature of the person responsible for checking; R) Notes (defects found, repairs performed or other relevant information); S) Check results: device fit for use, device unfit for use or device to be checked; T) Date of next check. **Attention!** It is advised to mark the anchor with the date of the last or next check (e.g. with indelible placard which does not modify the anchor's structure).

Le istruzioni d'uso di questo dispositivo sono costituite da un'istruzione generale e da una specifica ed entrambe devono essere lette attentamente prima dell'utilizzo. **Attenzione!** Questo foglio costituisce solo l'istruzione specifica.

ISTRUZIONI SPECIFICHE PIASTRINE DI ANCORAGGIO / TASSELLI / SOSTE.

1) CAMPO DI APPLICAZIONE. EN 795:2012 tipo A: Dispositivo di ancoraggio tipo A, riservato all'utilizzo di una persona sola. EN 959:2007 e UIAA-123: ancoraggio da roccia per la protezione contro le cadute dall'alto. **Attenzione!** Un ancoraggio è definito tale quando costituito dall'unione di tassello e piastrina. Per installare un ancoraggio conforme alle normative indicate in tabella (Fig. 3) e per ottenere i carichi minimi garantiti (Fig. 3) si devono rispettare le combinazioni tassello/piastrina indicate, con le quali sono stati superati i test previsti dalle normative. **Attenzione!** Una sosta di calata o di ancoraggio è definita tale quando costituita da due ancoraggi correttamente installati.

2) NOMENCLATURA DELLE PARTI (Fig. 1). A) Foro per vite/tassello di fissaggio. B) Corpo piastrina. C) Anello (solo per modelli 4A213, 4A218 e 4A21812). D) Anello di ancoraggio. E) Catena di collegamento. F) Connettore di ancoraggio. Esempi di sistemi di ancoraggio (Fig. 1.4): G) Struttura metallica; H) Supporto in roccia o calcestruzzo. I) Sistema di fissaggio removibile (vite, dado e rondella); L) Sistema di fissaggio non removibile (tassello, dado e rondella). M) Dado di serraggio. N) Rondella. O) Tassello.

3) MARCATURA. Sul dispositivo sono riportate le seguenti indicazioni (Fig. 2): 1) Norme di riferimento. 2) Nome del costruttore o del responsabile dell'immissione sul mercato. 3) Diametro del foro. 4) Modello del prodotto. 5) Indicazione che il dispositivo è adatto all'utilizzo da parte di una sola persona alla volta. 6) Materiale di costruzione (acciaio inox AISI 316L / AISI 904L). 7) Carichi minimi garantiti dell'ancoraggio (Fig. 3/7.1). 8) Logo che avvisa l'utente di leggere attentamente le istruzioni prima dell'utilizzo. 9) Numero di lotto (BB) e anno di produzione (YY).

4) CONTROLLI. Prima di ogni utilizzo verificare che: non vi siano segni di usura, fessurazioni, corrosione o deformazione; il dado di fissaggio non risulti allentato; i bordi del foro di ancoraggio non presentino spigoli taglienti; non vi sia presenza di sporco (es. sabbia o fango).

4.1 - Controlli EN 795:2012. Prima di ogni utilizzo è necessario inoltre: assicurarsi che tutti i dispositivi utilizzati siano compatibili, riportino la corretta referenza normativa e siano in perfetto stato di funzionamento; assicurarsi che le schede di manutenzione di ogni dispositivo siano correttamente compilate e siano aggiornate; avere ponderato con attenzione la via di accesso più sicura, essersi equipaggiati adeguatamente ed avere previsto una procedura di soccorso per il recupero dell'operatore in difficoltà; verificare, in caso di utilizzo in un sistema di arresto caduta, lo spazio libero necessario sotto l'utilizzatore in corrispondenza del luogo di lavoro, in modo tale che, in caso di caduta, non ci sia collisione con il suolo o altri ostacoli presenti sulla traiettoria di caduta. **Attenzione!** Nel caso che il dispositivo di ancoraggio abbia contribuito ad arrestare un caduta interrompere l'utilizzo e sostituirlo.

5) INSTALLAZIONE / USO. Prima dell'installazione è necessario valutare attentamente la qualità e le condizioni del supporto (vedi 5.1), la compatibilità con altri componenti, l'influenza di fattori esterni (es. ambiente marino) sulla durata di vita (vedi 5.2), l'esposizione climatica, le temperature esterne (-40°C+80°C) e le possibili correnti vaganti (che dipendono dal tipo di roccia, cemento, messa a terra etc.) presenti nel supporto.

5.1 - Supporto. Un ancoraggio ha dei carichi minimi di tenuta verificati e garantiti (Fig. 3-7.1). Questi carichi di tenuta non possono essere garantiti se il supporto in cui è inserito l'elemento di fissaggio non ha almeno le medesime caratteristiche prestazionali del blocco di cemento utilizzato nei test (resistenza alla compressione 50 N/mm²). **Attenzione!** Roccia tenera (es. arenaria, conglomerato, etc.) o aree di roccia poco solida (presenza di micro fessure, tasche vuote etc.) possono avere caratteristiche prestazionali non sufficienti a garantire i carichi minimi di tenuta. In questi casi, per ottenere la capacità di carico richiesta, può essere necessario utilizzare un tassello di fissaggio di lunghezza maggiore o scegliere un supporto/punto d'installazione differente (scelta da preferire quando possibile). In alcuni casi può essere opportuno effettuare delle prove in situ con tasselli di fissaggio di diverse lunghezze e/o tipologie e testare la capacità di carico.

5.2 - Durata di vita. La durata di vita e i carichi di tenuta possono subire una drastica riduzione per via della corrosione. La corrosione può verificarsi quando il metallo della vite/tassello di fissaggio è diverso da quello della piastrina (corrosione galvanica): per questo motivo, secondo la norma EN 959, tutte le parti del dispositivo di ancoraggio devono essere realizzate nello stesso materiale. Vanno quindi utilizzati solo viti, tasselli, dadi e rondelle di fissaggio dello stesso acciaio inox (AISI 316L o HCR AISI 904L / AISI 926). **Attenzione!** L'utilizzo in ambiente marino (falesia sul mare, o in ogni altro ambiente molto corrosivo) è causa di corrosione e la durata di vita dell'ancoraggio si riduce notevolmente: in questo caso deve essere aumentata la frequenza dei controlli periodici (ogni sei mesi) sia della piastrina che del sistema di fissaggio. **Attenzione!** L'influenza di tale ambiente può sentirsi anche a distanza di alcuni chilometri dal mare.

5.3 - Serie HCR. I modelli della serie HCR sono realizzati in acciaio inox ad alta resistenza alla corrosione HCR (AISI 904L, AISI 926 etc.). Sono ideali per l'installazione in ambienti molto corrosivi (es. falesia sul mare) dove l'ancoraggio potrebbe essere sottoposto alla corrosione sotto sforzo (Stress Corrosion Cracking). **Attenzione!** La piastrina 4A10712 deve essere utilizzata solo con il tassello 4A108110. **Attenzione!** Per la durata di vita attenersi comunque alle indicazioni presenti al paragrafo 5.2.

5.4 - Installazione / disinstallazione (Fig. 5). L'installazione del dispositivo deve essere eseguita da persone competenti e deve essere verificata in modo appropriato. Per installazione nella roccia o su cemento procedere nel seguente modo: verificare la qualità del supporto intorno all'ancoraggio assicurandosi che la roccia sia compatta e omogenea; praticare un foro con diametro e profondità adeguati (Fig. 5.1); pulire accuratamente il foro con un getto d'aria (Fig. 5.2) e quindi con uno spazzolino (Fig. 5.3); inserire il tassello di fissaggio con la piastrina nel foro fino in fondo (Fig. 5.4); serrare il dado di fissaggio applicando la coppia di serraggio prescritta mediante chiave dinamometrica (Fig. 5.5). Dopo ogni installazione, verificare che il rinvio si muova liberamente nella placchetta (Fig. 5.5). Utilizzare un tassello di diametro appropriato a quello della placchetta (per esempio, tassello di diametro 12 mm per placchetta di diametro 12 mm).

Attenzione! Se il tassello sporge troppo, questo può ostacolare il libero movimento del rinvio nella pacchetta (max 4 mm - Fig. 5.5). L'eventuale disinstallazione del dispositivo può essere effettuata sbloccando il sistema di fissaggio (svitare il dado di fissaggio), togliendo la piastrina e verificando che la stessa non presenti deformazioni che ne pregiudichino il suo riutilizzo. **Attenzione!** Nel caso si proceda ad un riposizionamento della piastrina, serrare eventuali dadi mediante chiave dinamometrica, applicando la coppia di serraggio prescritta. **Attenzione!** La piastrina 4A10308 non è conforme alle normative EN 959 e EN 795 tipo A. **Attenzione!** Verificare che i dispositivi (corde, rinvii, sistemi di trattenuta etc.) collegati all'ancoraggio non sfreghino contro materiali abrasivi o parti taglienti.

5.5 - Installazione soste. Per il posizionamento delle soste (mod. 4A218, 4A219, 4A221) rispettare le distanze tra i due ancoraggi come indicato (Fig. 5.8) e procedere all'installazione come indicato al punto 5.3. **Attenzione!** Per un'installazione conforme alle norme indicate gli articoli 4A218, 4A221 e 4A222 vanno installati con il tassello 4A105090 mentre gli articoli 4A21812, 4A22112 e 4A22212 vanno installati con il tassello 4A106110.

5.6 - AVVERTENZE EN 795:2012. Qualsiasi attività svolta oltre i due metri di altezza presuppone l'impiego di Dispositivi di Protezione Individuale (DPI) contro il rischio di cadute. Prima di accedere alla posizione di lavoro si devono considerare tutti i fattori di rischio (ambientali, concomitanti, consequenziali). L'ancoraggio è per l'uso da parte di una sola persona. Per il collegamento al foro di ancoraggio bisogna utilizzare un connettore conforme alla norma EN 362 con sistema di bloccaggio (Fig. 7.2). Quando l'ancoraggio è parte di un sistema di arresto caduta; l'utilizzatore deve essere equipaggiato con dispositivi che limitino la forza sviluppata durante la caduta al massimo a 6 kN; è essenziale, per la sicurezza dell'utilizzatore, che il dispositivo sia sempre correttamente posizionato e che il lavoro sia effettuato in modo da ridurre al minimo il rischio di caduta e l'altezza di caduta; un'imbracatura anticaduta EN 361 è l'unico dispositivo di presa del corpo che sia consentito utilizzare; l'ancoraggio del sistema deve essere preferibilmente situato al di sopra della posizione dell'utilizzatore e deve rispondere ai requisiti della norma EN 795 (resistenza minima 12 kN). **Attenzione!** Se il dispositivo di ancoraggio presenta una qualsiasi deformazione, non utilizzarlo e provvedere alla sua immediata sostituzione. **Attenzione!** Il dispositivo di ancoraggio è da usare solo nei sistemi di protezione contro le cadute, non in sistemi di sollevamento.

Note per l'installazione. Verificare che la marcatura sia accessibile e leggibile, se non lo è, apporre una marcatura addizionale vicino all'ancoraggio. Una copia della documentazione d'installazione deve essere consegnata all'utilizzatore, e tenuta presso il luogo di lavoro, essa fornisce informazioni sulla corretta installazione e manutenzione dell'ancoraggio. Questa documentazione è indispensabile alle verifiche periodiche del dispositivo. La documentazione di installazione deve contenere almeno le seguenti informazioni: A) Indirizzo e posizione dell'ancoraggio; B) Generalità della ditta che ha eseguito l'installazione; C) Nome della persona addetta che ha eseguito l'installazione; D) Identificazione del prodotto (costruttore, tipo, modello, ...); E) Specifiche del sistema di fissaggio (costruttore, prodotto, forza di trazione e forza a taglio massime, ...); F) Piano schematico d'installazione (es. di un tetto), e informazioni importanti per gli utenti, come ad esempio dove si trovano i punti di ancoraggio (es. informazioni rilevanti su un tetto in caso di neve). Questo piano schematico dovrebbe essere affisso nell'edificio/luogo di lavoro in modo che sia visibile o disponibili per tutti. L'installatore rilascia una dichiarazione firmata, nella quale precisa che il dispositivo di ancoraggio: A) È stato installato secondo le istruzioni del costruttore; B) È stato installato secondo quanto previsto dal piano di sicurezza; C) È stato fissato al supporto specificato; D) È stato fissato come specificato (es. numero di bulloni, materiale corretto, posizione corretta, ...); E) È stato fornito con documentazione fotografica (soprattutto quando gli elementi di fissaggio e supporto non sono più visibili dopo l'installazione). **Attenzione!** È raccomandabile, laddove più di un punto di ancoraggio sia stato installato, identificare ogni singolo ancoraggio con un numero, da riportare

sulla scheda di identificazione e controllo e sul piano schematico d'installazione. **5.7 - AVVERTENZE EN 959:2007.** Le modalità di utilizzo sono illustrate in figura (Fig. 7.3÷7.6). Per il collegamento al foro di ancoraggio bisogna utilizzare un connettore conforme alla norma EN 12275.

6) CONTROLLO PERIODICO. Almeno ogni 12 mesi (6 mesi per impieghi in mare) è indispensabile un controllo approfondito del dispositivo da parte del costruttore o di personale competente espressamente abilitato dal costruttore stesso. Questa frequenza può essere variata in funzione della frequenza e dell'intensità di utilizzo. L'esecuzione dei controlli periodici regolari è indispensabile per garantire la continua efficienza e durabilità del dispositivo, da cui dipende la sicurezza dell'utilizzatore. I risultati dei controlli saranno riportati sull'apposita scheda che correde e deve accompagnare ogni dispositivo. **Attenzione!** In mancanza della scheda, o se illeggibile, astenersi dall'utilizzo. **Scheda di identificazione del dispositivo (Fig. A):** A) Marchio commerciale; B) Produttore; C) Prodotto (tipo, modello, codice); D) Utente (società, nome e indirizzo); E) Numero di serie / lotto; F) Anno di produzione; G) Data di acquisto; H) Data del primo utilizzo; I) Data di scadenza; L) Norme di riferimento; M) Laboratorio che ha effettuato il test di conformità. **Scheda di controllo periodico del dispositivo (Fig. B):** O) Data; P) Motivo del controllo: controllo periodico o controllo eccezionale; Q) Nome e firma del responsabile del controllo; R) Annotazioni (difetti rilevati, riparazioni effettuate o altre informazioni pertinenti); S) Esito del controllo: dispositivo idoneo all'uso, dispositivo non idoneo all'uso o dispositivo da verificare; T) Data del controllo successivo. **Attenzione!** Si raccomanda di marcare l'ancoraggio con la data dell'ultima o della prossima ispezione (es. con cartellino indelebile che non alteri la struttura dell'ancoraggio).

Les instructions d'utilisation de ce dispositif comprennent une partie générale et une partie spécifique, lesquelles doivent toutes les deux être lues attentivement avant utilisation. **Attention !** La présente fiche ne contient que les instructions spécifiques.

INSTRUCTIONS SPÉCIFIQUES PLAQUETTE D'ANCRAGE / GOUJON / RELAIS.

1) DOMAINE D'APPLICATION. EN 795:2012-A : Dispositifs d'ancrage type A, réservé à l'utilisation de la part d'une seule personne. EN 959:2007 et UIAA-123 : ancrage pour rocher pour la protection contre les chutes de hauteur. **Attention !** On parle d'ancrage quand il y a la connexion d'un goujon et d'une plaquette. Pour installer un ancrage conforme aux normes indiquées dans le tableau (Fig. 3), et pour obtenir les charges minimales garanties (Fig. 3), il faut respecter les combinaisons goujon/plaquette indiquées, avec lesquelles on a réussi les tests prévus par la normative. **Attention !** On parle de relais de descente ou d'ancrage quand il y a deux ancrages installés correctement.

2) NOMENCLATURE DES COMPOSANTES (Fig. 1). A) Trou pour la vis ou la cheville auto-expansion. B) Corps plaquette. C) Anneau (uniquement pour les modèles 4A213, 4A218 et 4A21812). D) Anneau d'ancrage. E) Chaîne de raccordement. F) Mousqueton d'amarrage. Exemples de système d'ancrage (Fig. 1.4): G) Structure métallique ; H) support en rocher ou en béton. I) Système de fixation amovible (vis, écrou et rondelle) ; J) Système de fixation non amovible (cheville, écrou et rondelle). M) Écrou de serrage. N) Rondelle. O) Goujon.

3) MARQUAGE. Le dispositif reporte les informations suivantes (Fig. 2) : 1) Norme de référence. 2) Nom du fabricant ou du responsable de la mise sur le marché. 3) Diamètre du trou. 4) Modèle du produit. 5) Indication que le dispositif n'est à utiliser que par une seule personne à la fois. 6) Matériel de fabrication (acier inox AISI 316L / AISI 904L). 7) Charge minimale garantie par l'ancrage (Fig. 3/7.1). 8) Logo exhortant l'utilisateur à lire attentivement les instructions avant toute première utilisation. 9) Numéro de lot (BB) et année de fabrication (YY).

4) CONTRÔLE. Avant chaque utilisation vérifiez que : il n'y ait pas des signes d'usures, de corrosion, des fissures ou des déformations ; vérifiez que l'écrou de serrage ne puisse pas se relâcher ; que les bords du trou d'ancrage ne présentent pas des arêtes tranchantes ; vérifiez qu'il n'y ait pas de saleté (par exemple de la sable ou de la boue).

4.1 - Contrôles EN 795:2012. Avant chaque utilisation il est également nécessaire de : s'assurer que tous les dispositifs utilisés sont compatibles entre eux, qu'ils présentent la correcte référence normative et qu'ils sont en parfait état de fonctionnement ; s'assurer que toutes les fiches d'entretien de chaque dispositif sont correctement remplies et ont été mises à jour ; s'assurer d'avoir choisi attentivement la voie d'accès la plus sûre, de s'être équipé adéquatement et d'avoir prévu une procédure de secours en cas l'opérateur se trouvait en difficulté ; en cas d'utilisation dans un système d'arrêt de chute, vérifiez que sur le lieu de travail il y a l'espace libre nécessaire au-dessous de l'utilisateur de sorte qu'en cas de chute il n'y ait pas de collision avec le sol ni avec d'autres obstacles éventuellement présents sur la trajectoire de chute. **Attention !** Si le dispositif d'ancrage a contribué à l'arrêt d'une chute, interrompre toute utilisation et le substituer.

5) INSTALLATION / UTILISATION. Avant la mise en place vérifiez attentivement la qualité et les conditions du support (voyez 5.1), la compatibilité avec les autres éléments, l'influence de facteurs externes (par exemple le milieu marin) sur la durée de vie des composantes (voyez 5.2), l'exposition climatique, les températures extérieures (-40°C ÷ 80°C) et les possibles courants errants (qui dépendent du type de roche, du ciment, de la mise à la terre, etc.) présents dans le support.

5.1 - Support. Un ancrage a des charges minimales de tenue garanties et vérifiées (Fig. 3-7.1). Ces charges de tenue ne peuvent pas être garanties si le support dans lequel on insère l'élément d'ancrage n'a au moins les mêmes caractéristiques de performance du bloc de béton utilisé pour les tests (résistance à la compression de 50 N/mm²). **Attention !** La roche tendre (par exemple le grès, le conglomérat, etc.) ou des surfaces de roche peu solide (présence de micro fissures, de poches vides, etc.) peuvent avoir des caractéristiques de performance insuffisantes pour garantir les charges de tenue minimales. Dans ces cas, pour obtenir la capacité de charge requise, il peut être nécessaire d'utiliser une cheville de fixation d'une longueur supérieure ou bien, choisir un support/point d'ancrage différent (choix à préférer si possible). Dans certains cas il peut être opportun d'effectuer des essais in situ avec des chevilles de fixation de différentes longueurs et/ou typologies pour tester la capacité de tenue.

5.2 - Durée de vie. La durée de vie et les charges de tenue peuvent subir une réduction drastique en conséquence de la corrosion du matériel. La corrosion peut apparaître quand le métal de la cheville de fixation est différent par rapport à celui de la plaquette (corrosion galvanique) : pour cette raison, selon la norme EN 959, toutes les parties du dispositif d'ancrage doivent être réalisées avec le même matériel. Il est donc impératif d'utiliser uniquement des vis, des pitons à expansion, des écrous et des rondelles de fixation de la même classe d'acier inoxydable (AISI 316L ou HCR AISI 904L / AISI 926). **Attention !** L'utilisation en milieu marin (falaise sur la mer, ou dans n'importe quel milieu corrosif) est cause de corrosion et la durée de vie de l'ancrage se réduit remarquablement : dans ce

cas, il faut accroître la fréquence des contrôles périodiques (tous les six mois) soit de la plaquette, soit du système de fixation. **Attention !** L'influence d'un tel milieu peut se ressentir aussi à quelques kilomètres de la mer.

5.3 - Série HCR. Les modèles de la série HCR sont en acier inox et ont une résistance élevée à la corrosion HCR (AISI 904L, AISI 926 etc.). Ils sont parfaits pour une installation en milieux hautement corrosifs (ex. falaise au-dessus de la mer) où l'ancrage pourrait être soumis à la corrosion sous contrainte (Stress Corrosion Cracking). **Attention !** La plaquette 4A10712 doit être utilisée uniquement avec le piton à expansion 4A108110. **Attention !** Pour la durée de vie, ne pas dépasser les indications présentes au paragraphe 5.2.

5.4 - Installation / désinstallation (Fig. 5). L'installation du dispositif doit être effectuée par des personnes compétentes et doit être correctement vérifiée. Pour l'installation dans de la roche ou dans du béton procédez de la façon suivante : vérifiez que le support autour de l'ancrage soit formé de rocher de qualité compacte et homogène ; pratiquer un trou de profondeur et de diamètre adéquat (Fig. 5.1) ; nettoyer soigneusement le trou avec un jet d'air (Fig. 5.2) et puis avec une petite brosse (Fig. 5.3) ; insérez dans le trou jusqu'au fond la cheville de fixation avec la plaquette (Fig. 5.4) ; serrez l'écrou en appliquant le couple de serrage prescrit à l'aide d'une clé dynamométrique (Fig. 5.5). Après chaque installation, vérifiez que la dégaine soit libre de bouger dans la plaquette (Fig. 5.5). Utiliser une cheville de diamètre adéquat à la plaquette (par exemple, cheville de diamètre de 12 mm pour une plaquette de diamètre de 12 mm). **Attention !** Si la cheville a un débord trop important, on peut compromettre le libre mouvement de la dégaine dans la plaquette (max. 4 mm - Fig. 5.5). L'éventuelle désinstallation du dispositif peut être effectuée en débloquant le système de serrage (dévisser l'écrou de serrage), en ôtant la plaquette et en vérifiant qu'elle ne présente aucune déformation qui puisse compromettre sa réutilisation. **Attention !** Dans le cas où on doit repositionner la plaquette, serrez les éventuels écrous à l'aide d'une clé dynamométrique, en appliquant le couple de serrage prescrit. **Attention !** La plaquette 4A10308 n'est pas conforme aux normes EN 959 et EN 795 type A. **Attention !** Vérifier que les dispositifs (cordes, dégaines, systèmes de retenue, etc.) reliés à l'ancrage ne frottent pas contre des matériaux abrasifs ou des parties coupantes.

5.5 - Installation relais. Pour le positionnement des relais (modèle 4A218, 4A219, 4A221) respecter les distances entre les deux ancrages, comme indiqué (Fig. 5.8) et procéder à l'installation comme indiqué au point 5.3. **Attention !** Pour une installation conforme aux normes indiquées, on doit installer les articles 4A218, 4A221 et 4A222 avec le goujon 4A105090 au contraire, il faut installer les articles 4A21812, 4A22112 et 4A22212 avec le goujon 4A106110.

5.6 - AVERTISSEMENTS EN 795:2012. N'importe quelle activité exercée au-dessus des deux mètres de hauteur présuppose l'utilisation d'équipements de protection individuelle (ÉPI) contre le risque de chutes. Avant d'accéder au poste de travail il faut considérer tous les facteurs de risque (ambiant, concomitant, conséquent). L'ancrage est à usage personnel. Pour se relier au trou d'ancrage il faut utiliser un connecteur conforme à la norme EN 362 avec le système de verrouillage (Fig. 7.2). Lorsque l'ancrage fait partie d'un système d'arrêt de chute : l'utilisateur doit être équipé d'un dispositif qui limite la force développée lors d'une chute à une valeur maximale de 6 kN ; pour la sécurité de l'utilisateur il est essentiel que le dispositif soit toujours positionné correctement et que le travail soit effectué de manière à réduire au minimum le risque de chute et la hauteur de chute ; il faut utiliser exclusivement des dispositifs de préhension du corps EN 361. Un harnais anti-chute EN 361 est le seul dispositif de prise du corps qu'on peut utiliser ; l'ancrage du système doit être situé de préférence au-dessus de la position de l'utilisateur et doit répondre aux prescriptions de la norme EN 795 (résistance minimale 12 kN). **Attention !** Si le dispositif d'ancrage présente n'importe quelle déformation, il ne faut pas l'utiliser et il faut immédiatement le remplacer. **Attention !** Le dispositif d'ancrage est à utiliser exclusivement dans les systèmes de protection contre les chutes et pas dans des systèmes de levage. **Notes pour l'installation.** Vérifiez que le marquage soit accessible et lisible, le cas échéant, il est recommandé d'apposer un marquage supplémentaire à proximité de l'ancrage. Une copie de la documentation d'installation doit être remise à l'utilisateur et gardée sur le lieu de travail, elle fournit toutes les informations à propos de la correcte installation et du correct entretien de l'ancrage. Cette documentation est indispensable pour les contrôles périodiques du dispositif. La documentation d'installation doit indiquer au moins les informations suivantes : A) L'orientation et la position de l'ancrage ; B) L'identité de l'entreprise ayant effectué l'installation ; C) Le nom de la personne préposée qui a effectué l'installation ; D) L'identification du produit (fabricant, type, modèle, ...) ; E) Les caractéristiques du système de fixation (fabricant, produit, force de traction maximale et effort de cisaillement maximal, ...) ; F) Le plan schématique de l'installation (par exemple d'un toit), ainsi que toutes les informations importantes pour les utilisateurs, comme où trouver les points d'ancrage (informations utiles sur un toit en cas de neige, par exemple). Ce plan schématique devrait être affiché dans le bâtiment/sur le lieu de travail de façon à être visible ou disponible pour tous. L'installateur délivre une déclaration signée, dans laquelle il précise que le dispositif d'ancrage : A) a été installé selon les instructions du fabricant ; B) il a été installé conformément au plan de sécurité ; C) il a été fixé au support spécifié ; D) il a été fixé comme indiqué (par exemple utilisant le nombre de boulons correct, le matériel approprié,

la bonne position, ...); E) il a été fourni avec une documentation photographique (surtout lorsque les éléments de fixation et de support ne sont plus visibles après l'installation). **Attention !** Où plus d'un point d'ancrage a été installé, il est recommandé d'identifier chaque ancrage avec un numéro qui doit être signalé sur la fiche d'identification et de contrôle et sur le plan schématique d'installation.

5.7 - AVERTISSEMENTS EN 959:2007. Les modalités d'utilisations sont illustrées en figure (Fig. 7.3÷7.6). Pour la liaison au trou de l'ancrage il faut utiliser un connecteur conforme à la norme EN 12275.

6) CONTRÔLE PÉRIODIQUE. Il est indispensable de procéder à un contrôle approfondi du dispositif au moins une fois par an (tous les 6 mois en cas d'utilisation en mer), lequel doit être effectué par le fabricant ou par un personnel compétent expressément désigné par celui-ci. Cette fréquence peut varier en fonction de la fréquence et de l'intensité d'utilisation. L'exécution des contrôles périodiques réguliers est indispensable afin de garantir l'efficacité continue et la durabilité du matériel, dont dépend la sécurité de l'utilisateur. Les résultats des contrôles devront être reportés sur la fiche prévue à cet effet jointe et devant accompagner tout matériel. **Attention !** En l'absence de fiche, ou lorsque celle-ci est illisible, ne pas utiliser le matériel. **Fiche d'identification du dispositif (Fig. A) :** A) Marque commerciale ; B) Producteur ; C) Produit (type, modèle, code) ; D) Utilisateur (société, nom et adresse) ; E) Numéro de série / lot ; F) Année de production ; G) Date d'achat ; H) Date de la première utilisation ; I) Date d'expiration ; L) Normes de référence ; M) Laboratoire ayant effectué les tests de conformité. **Fiche de contrôle périodique du dispositif (Fig. B) :** O) Date ; P) Type de contrôle : contrôle périodique ou contrôle extraordinaire ; Q) Nom et signature du responsable du contrôle ; R) Annotations (défauts relevés, réparations effectuées ou autres informations pertinentes) ; S) Résultat du contrôle : dispositif apte à l'utilisation, dispositif non apte à l'utilisation ou dispositif à vérifier ; T) Date du prochain contrôle. **Attention !** On conseille de marquer l'ancrage avec la date de la dernière inspection effectuée et de la prochaine inspection à faire (par exemple avec une étiquette indélébile et qui n'endommage pas la structure de l'ancrage).

Die Gebrauchsanweisung zu diesem Produkt setzt sich aus einem allgemeinen und einem spezifischen Teil zusammen, wobei beide Teile vor der Verwendung des Produkts genau durchgelesen werden müssen. **Achtung!** Dieses Blatt enthält nur den allgemeinen Teil der Anleitung. **SPEZIFISCHE ANWEISUNGEN FÜR ANSCHLAGSVORRICHTUNGEN / DÜBEL / STANDPLÄTZE.**

1) EINSATZBEREICH. EN 795:2012-A: Anschlagsvorrichtung des Typs A, für den individuellen Gebrauch durch eine Einzelperson. EN 959:2007 und UIAA-123: Bohrhaken - Schutzrüstung gegen Absturz von oben. **Achtung!** Eine Anschlagsvorrichtung wird als solche definiert, insofern sie sich aus dem Verbund von Dübel und Lasche. Um eine Anschlagsvorrichtung anzubringen, die den Vorschriften in der Tabelle (Abb. 3) konform ist und um die garantierte minimale Belastbarkeit zu erreichen (Abb. 3), müssen die angeführten Kombinationen von Dübel/Lasche respektiert werden, mit denen die rechtsmäßig vorgesehenen Tests bestanden wurden. **Achtung!** Ein Abseilstand oder Anschlagstand gilt als solcher, insofern er aus zwei korrekt angebrachten Anschlagsvorrichtungen besteht.

2) BENENNUNG DER TEILE (Abb. 1). A) Öffnung für Schraube/Befestigungsdübel. B) Laschenkörper. C) Ring (nur für die Modelle 4A213, 4A218 und 4A21812). D) Anschlagring. E) Verbindungskette. F) Anschlagskarabiner. Beispiele für Anschlagskarabiner (Abb. 1.4): G) metallische Struktur; H) Halterung im Fels oder Beton I) entfernbares Fixierungssystem (Schrauben, Mutter und Unterlagscheibe); J) Nicht entfernbares Fixierungssystem (Dübel, Mutter und Unterlagscheibe). L) Spannmutter. N) Unterlagscheibe. O) Dübel.

3) MARKIERUNG. Auf der Vorrichtung befinden sich folgende Indikationen (Abb. 2): 1) Bezugsnormen. 2) Namen des Herstellers oder des verantwortlichen Markteinführers. 3) Durchmesser der Öffnung 4) Produktmodell. 5) Indikation, dass die Vorrichtung von jeweils nur einer Person angewendet werden kann. 6) Herstellungsmaterial (rostfreier Edelstahl AISI 316L / AISI 904L). 7) Garantierte Minimallast der Anschlagsvorrichtung (Abb. 3/7.1). 8) Logo, das dazu auffordert, die Bedienungsanleitung aufmerksam durchzulesen. 9) Lot-Nummer (BB) und Herstellungsjahr (YY).

4) KONTROLLEN. Vor jedem Gebrauch prüfen: es dürfen keine Verschleißanzeichen, Risse, Korrosionen oder Verformungen vorhanden sein; die Spannmutter darf nicht locker sitzen; die Ränder der Befestigungsöse dürfen keine scharfen Kanten aufweisen; es darf kein Schmutz vorhanden sein (z. B. Sand oder Schlamm).

4.1 - Kontrollen EN 795:2012. Vor jedem Gebrauch zusätzlich: sicherstellen, dass alle verwendeten Vorrichtungen kompatibel sind, dass sie die korrekte Bezugsnorm aufweisen und perfekt funktionieren; sicherstellen, dass die Kontrollblätter korrekt ausgefüllt werden und aktualisiert sind; sorgsam den sichersten Zugangsweg wählen, angemessene Ausrüstung besitzen und eine Notfallprozedur zur Rückholung des Arbeiters in Schwierigkeiten ausgearbeitet haben; bei Gebrauch eines Auffangsystems zuvor den nötigen Leerraum unterhalb des Nutzers am Arbeitsplatz prüfen, um im Falle eines Sturzes eine Bodenkollision oder mit Hindernissen in der Falllinie vermeiden. **Achtung!** Sollte das Auffangsystem zum Abfangen eines Sturzes beigetragen haben, dieses nicht mehr weiterverwenden und ersetzen.

5) ANBRINGUNG / GEBRAUCH. Vor der Anbringung müssen notwendigerweise aufmerksam Qualität und Zustand der Halterung geprüft werden (siehe 5.1), sowie die Kompatibilität mit anderen Komponenten, der Einfluss äußerer Faktoren (z.B. in maritimer Umgebung) auf die Lebensdauer (siehe 5.2), die Klimaexposition, die Außentemperaturen (-40°C÷80°C) und mögliche Streuströme (hängen vom Felstypus, Zementart, Erdleitung, usw. ab), die die Halterung durchlaufen können.

5.1 - Halterung. Eine Anschlagsvorrichtung besitzt geprüfte und garantierte minimale Bruchlasten (Abb. 3-7.1). Diese Bruchlasten können nicht garantiert werden, wenn die Halterung, in die das Fixierungselement eingefügt wird, nicht mindestens dieselben Eigenschaften besitzt, wie der Zementblock, der für die Tests verwendet wurde (Druckwiderstand 50 N/mm²). **Achtung!** Weiche Felsen (z.B. Sandstein, Konglomerat, usw.) oder wenig solide Felsbereiche (vorhandensein von Mikrorissen, Hohlräumen, usw.) können nicht ausreichende Leistungseigenschaften besitzen, um die minimale Bruchlast zu garantieren. In diesen Fällen, um die erforderliche Leistung zu erreichen, kann eine längere Schraube oder Dübel verwendet werden oder eine Halterung/anderer Anbringungspunkt gewählt werden (wo möglich, sollte diese Entscheidung getroffen werden). In einigen Fällen könnte es vorteilhaft sein, vor Ort verschiedene Dübel mit verschiedenen Längen und/oder Arten auf deren Belastbarkeit zu testen.

5.2 - Lebensdauer. Die Lebensdauer und die Bruchlast können sich durch Korrosion stark verringern. Es kommt zu Korrosion, wenn das Metall der Schraube/des Dübels andersartig als jenes der Lasche ist (galvanische Korrosion): aus diesem Grund, laut der Norm EN 959, müssen alle Teile der Anschlagsvorrichtung aus demselben Material hergestellt werden. Es dürfen also lediglich Schrauben, Dübel, Schraubenmutter und Befestigungsscheiben derselben Edelstahlklasse (AISI 316L oder HCR AISI 904L / AISI 926) verwendet werden. **Achtung!** Der Gebrauch in maritimer Umgebung (Klettergarten am Meer oder in jedem anderen korrosivem Ambiente) ist Grund für Korrosionen und die Lebensdauer der

Anschlagsvorrichtung reduziert sich bemerkenswert: in diesem Fall muss die periodische Kontrollfrequenz (alle sechs Monate) sowohl der Lasche als auch des Fixierungssystems erhöht werden. **Achtung!** Der Einfluss einer solchen Umgebung kann sich auch bis auf einige Kilometer vom Meer erstrecken.

5.3 - Serie HCR. Die Modelle der HCR-Serie bestehen aus rostfreiem Edelstahl mit hoher HCR-Korrosionsbeständigkeit (AISI 904L, AISI 926 usw.). Ihre Verwendung ist in stark korrosiver Umgebung (z.B. Klettergarten am Meer) ideal, dort, wo Anschlagpunkte einer Korrosion unter starker Belastung ausgesetzt sind (Stress Corrosion Cracking). **Achtung!** Das Plättchen 4A10712 muss mit dem Dübel 4A108110 verwendet werden. **Achtung!** Für die Lebensdauer muss an den Anweisungen des Absatzes 5.2 festgehalten werden.

5.4 - Anbringung / Entfernung (Abb. 5). Die Anbringung der Vorrichtung muss von kompetentem Personal durchgeführt werden und gebührend geprüft werden. Für Anbringungen am Felsen oder im Beton wie folgt vorgehen: die Qualität der Halterung rund um den Anschlagpunkt prüfen und sich versichern, dass der Felsen kompakt und homogen ist, ein Loch mit dem angemessenen Durchmesser und der passenden Tiefe bohren (Abb. 5.1); die Bohrung mit einem Luftstrahl gründlich reinigen (Abb. 5.2) und anschließend mit einer Bürste (Abb. 5.3); die Schraube/den Dübel mit der Lasche korrekt ins Loch einfügen (Abb. 5.4); die Spannmutter mit dem vorgegebenen Anzugsdrehmoment mittels eines Drehmomentschlüssels anziehen (Abb. 5.5). Nach jeder Installation prüfen, dass sich die Expressschlinge frei in der Lasche bewegen kann (Abb. 5.5). Einen Dübel mit passendem Durchmesser für das jeweilige Plättchen verwenden (z. B. Dübel mit Durchmesser 12 mm für ein Plättchen mit Bohrungsdurchmesser 12 mm). **Achtung!** Sollte der Dübel zu weit hervorragen, kann dies die Bewegungsfreiheit der Expressschlinge in der Lasche beeinträchtigen (max. 4 mm - Abb. 5.5). Eine eventuelle Entfernung der Vorrichtung kann durch das Öffnen des Fixierungssystems geschehen (die Spannmutter aufdrehen), dann wird das Plättchen entfernt und gleichzeitig geprüft, ob dieses wohl keine Verformungen aufweist, welche eine weitere Verwendung verhindern würden. **Achtung!** Sollte die Lasche neu positioniert werden, die eventuellen Spannmuttern mittels einem Drehmomentschlüssel laut den vorgeschriebenen Anzugsdrehmomenten festziehen. **Achtung!** Das Plättchen 4A10308 ist laut der Rechtsvorschrift EN 959 und EN 795 Typ A nicht konform. **Achtung!** Prüfen, dass die Vorrichtungen (Seile, Expressschlingen, Auffangsysteme, usw.), die mit dem Anschlagpunkt verbunden sind, nicht mit abrasiven Materialien oder scharfen Teilen in Kontakt kommen.

5.5 - Standplatzbau. Für die Positionierung der Standplätze (Mod. 4A218, 4A219, 4A221) die Distanzen zwischen den beiden Anschlagpunkten wie angeführt respektieren (Abb. 5.8) und anschließend mit der Installation laut Punkt 5.3 fortfahren. **Achtung!** Für eine den angeführten Bestimmungen konforme Installation der Artikel 4A218, 4A221 und 4A222, müssen sie mit dem Dübel 4A105090 installiert werden, während die Artikel 4A21812, 4A22112 und 4A22212 den Dübel 4A106110 erfordern.

5.6 - HINWEISE ZU EN 795:2012. Jegliche Aktivität über zwei Meter Höhe erfordert den Einsatz von Persönlicher Schutzausrüstung (PSA) zum Schutz gegen Abstürze. Bevor man sich an den Arbeitsplatz begibt, müssen alle Risikofaktoren bedacht werden (Umweltbedingungen, Nebenerscheinungen, Folgeschäden). Der Anschlagpunkt ist für den Gebrauch durch nur eine Person bestimmt. Für die Verbindung mit der Anschlagöffnung muss ein der Norm EN 362 gemäßer Karabiner mit Sperrsystem verwendet werden (Abb. 7.2). **Falls der Anschlagpunkt Teil eines Auffangsystems ist:** der Anwender muss mit Fallstoßdämpfern ausgerüstet sein, damit die Fallenergie auf maximal 6 kN begrenzt wird; Grundbedingung für die Sicherheit des Nutzers ist die korrekte Positionierung der Vorrichtung, und dass die Arbeit so ausgeführt wird, dass Absturzrisiko und Fallhöhe auf ein Minimum reduziert werden; der Auffanggurt laut EN 361 ist die einzige Körperhaltevorrückung, die verwendet werden darf; der Anschlagpunkt des Systems sollte am besten oberhalb der Position des Nutzers liegen und muss den Ansprüchen der Rechtsvorschrift EN 795 (minimaler Widerstand 12 kN) gerecht werden. **Achtung!** Sollte die Anschlagsvorrichtung irgendwelche Verformungen aufweisen, muss es sofort ersetzt werden. **Achtung!** Die Anschlagsvorrichtung darf nur für Auffangsysteme verwendet werden, nicht aber für Hebesysteme.

Montagehinweise. Überprüfen, dass die Markierung zugänglich und lesbar ist, ist dies nicht der Fall, eine zusätzliche Markierung nahe dem Anschlagpunkt anbringen. Eine Kopie der Montagedokumentation muss dem Nutzer ausgehändigt werden und am Arbeitsplatz aufbewahrt werden, diese liefert Informationen zur korrekten Montage und Wartung des Anschlagpunktes. Diese Dokumentation ist unerlässlich für die periodischen Kontrollen der Vorrichtung. Die Montagedokumentation muss folgende Informationen beinhalten: A) Adresse und Position des Anschlagpunktes; B) Personalien der Montagefirma; C) Name der Person, die die Montage durchgeführt hat; D) Identifikation des Produkts (Hersteller, Typ, Modell, ...); E) technische Daten des Montagesystems (Hersteller, Produkt, Zugkraft und maximale Schnittstärke,...); F) schematischer Montageplan (z.B. eines Dachs), und wichtige Informationen für die Anwender, wie zum Beispiel wo sich die Anschlagssysteme befinden (z.B. wichtige Info für ein schneebedecktes Dach). Dieser schematische Plan sollte im Gebäude/Arbeitsplatz angebracht werden, damit er für alle sichtbar und verfügbar ist. Der Monteur hinterlässt eine unterzeichnete Erklärung, darin wird präzisiert, dass die Anschlagsvorrichtung: A) laut den

Angaben des Herstellers angebracht wurde; B) laut den Vorgaben des Sicherheitsplans montiert wurde; C) an der angegebenen Halterung angebracht wurde; D) wie vorgegeben festgemacht wurde (z.B. Anzahl der Schrauben, korrektes Material, korrekte Position, ...; E) mit fotografischer Dokumentation geliefert worden ist (vor allem wenn die Fixierungselemente und Halterung nach der Montage nicht mehr sichtbar sind). **Achtung!** Sollte mehr als ein Anschlagpunkt angebracht werden, empfiehlt sich, jeden einzelnen Punkt mit einer Nummer zu identifizieren, die auf das Identifikations- und Kontrollblatt und auf den schematischen Montageplan übertragen werden muss.

5.7 - HINWEISE ZU EN 959:2007. Die Verwendungsverfahren werden in der Abbildung dargestellt (Abb. 7.3÷7.6). Für die Verbindung mit dem Anschlagloch muss ein der Bestimmung EN 12275 entsprechender Karabiner verwendet werden.

6) REGELMÄSSIGE KONTROLLE. Zumindest einmal jährlich (alle 6 Monate beim Einsatz im Meer) ist eine genaue Kontrolle der Vorrichtung durch den Hersteller oder kompetentes und ausdrücklich vom Hersteller befähigtes Personal erforderlich. Diese Häufigkeit kann abhängig von der Nutzungshäufigkeit und -intensität variiert werden. Die Durchführung der ordnungsgemäßen regelmäßigen Kontrollen ist für die langfristige Effizienz und Haltbarkeit der Vorrichtung, von der die Sicherheit des Benutzers abhängt, unabdingbar. Die Kontrollergebnisse werden auf einem speziellen Blatt vermerkt, das jeder Vorrichtung beiliegen muss. **Achtung!** Falls das Kontrollblatt fehlt oder unlesbar ist, verwenden Sie das Produkt bitte nicht. **Kennblatt der Vorrichtung (Abb. A):** A) Handelsmarke; B) Hersteller; C) Produkt (Typ, Modell, Kennzahl); D) Benutzer (Gesellschaft, Name und Adresse); E) Seriennummer / Losnummer; F) Herstellungsjahr; G) Kaufdatum; H) Datum der Erstbenutzung; I) Ablaufdatum; L) Referenznormen; M) Labor, das die Konformitätsprüfung durchgeführt hat. **Kontrollblatt der Vorrichtung (Abb. B):** O) Datum; P) Grund für die Kontrolle: regelmäßige oder außerordentliche Kontrolle; Q) Name und Unterschrift des/der Kontrollverantwortlichen; R) Anmerkungen (festgestellte Mängel, durchgeführte Reparaturen oder sonstige zweckdienliche Informationen); S) Kontrollergebnis: die Vorrichtung ist einsatzbereit, die Vorrichtung ist nicht einsatzbereit, die Vorrichtung ist zu prüfen; T) Termin für die nächste Kontrolle. **Achtung!** Es wird empfohlen, den Anschlagpunkt mit dem Datum der letzten oder nächsten Inspektion zu versehen (z.B. mit einem wasserfesten Kärtchen, das die Struktur des Anschlagpunktes nicht angreift).

Las instrucciones de uso de este dispositivo están constituidas por una parte general y una específica, ambas deben leerse cuidadosamente antes del uso. **¡Atención!** Este folio presenta sólo las instrucciones específicas.

INSTRUCCIONES ESPECÍFICAS PLACAS DE ANCLAJE / TACOS / PUNTO DE ANCLAJE.

1) CAMPO DE APLICACIÓN. EN 795: 2012-A: Equipo personal para la protección contra caídas - Dispositivos de anclaje. Tipo A, indicado para uso de una sola persona EN 959: 2007 y UIAA-123 Equipo para alpinismo - anclajes de roca. **¡Atención!** Un anclaje es definido como tal cuanto está formado por la unión de un taco y una plaqueta. Para instala un anclaje acorde a la norma indicada en la tabla (Fig. 3) y para obtener la resistencia a las cargas mínimas garantizadas (Fig. 3) se deben respetar la combinación taco/plaqueta, con las cuales has sido superadas las pruebas previstas por la norma. **¡Atención!** Una reunión para descuelgue o reposo, es definata como tal cuando está formada de dos anclajes correctamente instalados.

2) NOMENCLATURA DE LAS PARTES (Fig. 1). A) Orificio para tornillo/perno de fijación. B) Cuerpo de la placa. C) Anillo (sólo para los modelos 4A213, 4A218 e 4A21812). D) Anillo de anclaje. E) Cadena de conexión. F) Conector de anclaje. Ejemplos de sistemas de anclaje (Fig. 1.4): G) Estructura metálica; H) Soporte en roca u homigón. I) Sistema de fijación no removible (tornillo, tuerca y arandela); L) Sistema de fijación no removible (tirafondo, tuerca y arandela); M) Tuerca de sujeción. N) Arandela. O) Taco.

3) MARCADO. El dispositivo muestra las siguientes indicaciones (Fig. 2): 1) Normas de referencia. 2) Nombre del fabricante o del responsable de la comercialización. 3) Diámetro del foro. 4) Modelo del producto. 5) Indicación de que el dispositivo puede utilizarse por una persona a la vez. 6) Material de construcción (acciaio inox AISI 316L / AISI 904L). 7) Carga mínima garantizada del anclaje (Fig. 3/7.1). 8) Logo de advertencia al usuario de leer atentamente las instrucciones antes de su uso. 9) Número de lote (BB) y año de fabricación (YY).

4) CONTROLES. Antes de cada uso, compruebe que: no haya signos de desgaste, grietas, corrosión o deformación; que la tuerca de fijación esté bien ajustada; que el orificio de anclaje no presente bordes afilados o cortes; y que no haya presencia de suciedad (por ejemplo, arena o barro).

4.1 - Controles EN 795: 2012. Antes de cada uso, también debe: asegurarse de que todos los dispositivos sean compatibles, contengan la referencia normativa correcta y estén en perfecto estado de funcionamiento; asegurarse de que las tarjetas de mantenimiento de cada dispositivo estén correctamente compiladas y actualizadas; considerar cuidadosamente el camino de acceso más seguro, llevar puesto el equipo adecuado y prever el proceso de rescate para el operador en dificultad; verificar, en caso de uso en un sistema de detención de caídas, el espacio libre necesario debajo del usuario en el lugar de trabajo, de modo que, en caso de una caída, no haya colisión con el suelo u otros obstáculos en la trayectoria de la caída. **¡Atención!** En caso de que el dispositivo de anclaje se haya cargado al detener una caída, deje de utilizarlo.

5) INSTALACIÓN/OPERACIÓN. Antes de la instalación es necesario evaluar cuidadosamente la calidad y las condiciones del soporte (véase 5.1), la compatibilidad con otros componentes y la influencia de factores externos (por ejemplo, entorno marino) en la duración de vida (véase 5.2), las condiciones climáticas, las temperaturas externas (-40 °C a 80 °C) y las posibles corrientes de fuga (que dependen del tipo de roca, hormigón, tierra, etc.) presentes en el soporte.

5.1 - Soporte. Un anclaje has una capacidad de carga mínimas verificadas y garantizadas (Fig. 3-7.1). Sin embargo, esta capacidad de carga no puede garantizarse si el soporte en que se inserta el elemento de anclaje no tiene al menos las mismas características de funcionamiento del bloque de cemento utilizado en las pruebas (resistencia a la compresión 50 N/mm²). **¡Atención!** Las rocas ligeras (por ejemplo, arenisca, conglomerado, etc.) o las zonas de roca poco sólida (presencia de grietas, vácios, etc.) pueden tener características de rendimiento que no son suficientes para asegurar las cargas mínimas de resistencia. En estos casos, para obtener la capacidad de carga deseada, puede ser necesario utilizar pernos de fijación de mayor longitud o elegir un soporte/punto de instalación más resistente (preferir esta opción cuando sea posible). En algunos casos puede ser apropiado realizar pruebas con pernos de diferentes longitudes y/o tipos y poner a prueba la capacidad de carga in situ.

5.2 - Duración de vida. La duración de vida y la capacidad de carga pueden sufrir una reducción drástica debido a la corrosión. La corrosión puede ocurrir cuando el metal del tornillo/perno es diferente al de la placa (corrosión galvánica): por esta razón, de acuerdo con la norma EN 959, todas las partes del dispositivo de anclaje deben estar hechas del mismo material. Sólo deben utilizarse tornillos, tacos, tuercas y arandelas de fijación de la misma clase de acero inoxidable (AISI 316L o HCR AISI 904L / AISI 926). **¡Atención!** El uso en un ambiente marino (roca a borde del mar u otro ambiente molto corrosivo) reduce notablemente el tiempo de duración del anclaje; en estos casos, se debe aumentar la frecuencia con la cual se realizan los controles periódicos de la chapa y del sistema de fijación (una vez cada seis meses). **¡Atención!** Los efectos de dicho

entorno pueden sentirse en tierra a pocos kilómetros del mar.

5.3 - Serie HCR. Los modelos de la serie HCR están realizados en acero inox con una alta resistencia a la corrosión y HCR (AISI 904L, AISI 926 etc.). Son especialmente indicados para la instalación en ambientes muy corrosivos (p. ej. acantilados juntos al mar) donde el anclaje podría ser sometido a corrosión bajo tensión (Stress Corrosion Cracking, fisuración por corrosión bajo tensión).

¡Atención! La plaqueta 4A10712 debe utilizarse únicamente con el tornillo de expansión 4A108110. **¡Atención!** Acerca de la vida útil de los dispositivos, deben seguirse las indicaciones proporcionadas en el apartado 5.2.

5.4 - Instalación/Desinstalación (Fig. 5). La instalación del dispositivo debe realizarse por personas u organizaciones competentes y verificarse apropiadamente. Para la instalación en roca o concreto, proceda de la siguiente manera: verifique la calidad de la zona dove va puesto el anclaje sea roca sana, compacta y homogénea, realice un foro de diámetro y profundidad adecuadas (Fig. 5.1); limpie atentamente el foro con soplo de aire (Fig. 5.2) y con un cepillo (Fig. 5.3); insertar el perno de fijación hasta el fondo del foro con la placa (Fig. 5.4); apretar la tuerca de fijación aplicando la fuerza de cierre prescrita con una llave dinamométrica (Fig. 5.5). Después de cada instalación, controle que el expres se mueva libremente en la chapa (Fig. 5.5). Utilice un tirafondo con el diámetro adecuado a la chapa (por ejemplo, tirafondo de diámetro 12 mm para chapa con diámetro 12 mm). **¡Atención!** Si el perno sobresale demasiado, éste puede obstaculizar el libre movimiento del expres en la chapa (máx 4 mm - Fig. 5.5). La desinstalación del dispositivo se puede realizar aflojando el sistema de fijación (desatornillar la tuerca), quitar la chapa y controlar que no presente deformaciones que puedan comprometer una reutilización. **¡Atención!** Ne nel caso se recoleque la chapa, apretar la tuerca utilizando una llave dinamométrica, aplicando la fuerza de apriete prescrita. **¡Atención!** La chapa 4A10308 no es conforma con la norma EN 959 y EN 795 tipo A. **¡Atención!** Verificar que los dispositivos (cuerdas, expreses, sistemas de frenado etc.) conectados al anclaje no rocen con materiales abrasivos o partes cortantes.

5.5 - Instalación de reuniones. Para el posicionamiento de una reunión (mod. 4A218, 4A219, 4A221) respete la distancia entre los dos anclajes tal y como se indica en la figura 5.8 y proceder con la instalación como se indica en el punto 5.3. **¡Atención!** Para una instalación conforma a las normas indicadas en los artículos 4A218, 4A221 y 4A222 van usados los tacos 4A105090 mientras los artículos 4A21812, 4A22112 e 4A22212 van instalados con el taco 4A106110.

5.6 - ADVERTENCIAS EN 795: 2012. Cualquier actividad realizada a más de dos metros de alto requiere el uso de equipo de protección personal (EPP) como protección contra el riesgo de caídas. Antes de acceder al lugar de trabajo, se debe evaluar todos los factores de riesgo (ambiental, concurrente, consecuente). El anclaje debe utilizarse por una sola persona. Para conectar el anclaje al orificio, utilice un conector conforme a la norma EN 362 con sistema de bloqueo (Fig. 7.2). Cuando el anclaje sea parte de un sistema de detención de caídas: el usuario debe estar equipado con dispositivos que limiten la carga desarrollada durante la caída para un máximo de 6 kN. Es esencial para la seguridad del usuario, que el dispositivo esté siempre colocado correctamente y que el trabajo se realice de tal modo que se minimice el riesgo y la altura de la caída. Un arnés anticaída EN 361 es el único dispositivo de sostén del cuerpo permitido; el anclaje del sistema debe de estar situado por encima de la posición del usuario y debe responder a los requisitos de la norma EN 795 (resistencia mínima 12 kN). **¡Atención!** Si el dispositivo de anclaje presenta alguna deformación, no lo use y reemplácelo inmediatamente. **¡Atención!** El dispositivo de anclaje debe utilizarse sólo en sistemas de protección contra caídas, no en sistemas de elevación.

Notas para la instalación. Asegúrese de que las indicaciones sean accesibles y legibles, si no, coloque marcas adicionales cerca al anclaje. Una copia de la documentación de instalación deberá ser entregada al usuario y mantenerse en el lugar de trabajo. Ésta proporciona información sobre la instalación y el mantenimiento del anclaje. Esta documentación es esencial para los controles regulares del dispositivo. La documentación de instalación debe contener al menos la siguiente información: A) Dirección y posición del anclaje; B) Descripción general de la empresa que llevó a cabo la instalación; C) Nombre de la persona que realizó la instalación; D) Identificación del producto (fabricante, tipo, modelo, ...); E) Especificaciones del sistema de fijación (fabricante, producto, fuerza axial y cortante máximas, etc.); F) Plano esquemático de la instalación (por ejemplo, de un techo), e información importante para los usuarios, como por ejemplo dónde están los puntos de anclaje (por ejemplo, información pertinente para un techo en caso de nieve). Este plan esquemático debe colocarse en el edificio/lugar de trabajo de modo que sea visible o al alcance de todos. El instalador deberá emitir una declaración firmada en la que afirma que el dispositivo de anclaje: A) se instaló de acuerdo con las instrucciones del fabricante; B) se instaló de conformidad con el plan de seguridad; C) se fijó al soporte indicado; D) se fijó según las indicaciones (por ejemplo, número de tornillos, material correcto, posición correcta, ...); E) contó con documentación fotográfica (especialmente cuando los elementos de fijación y soporte ya no sean visibles después de la instalación). **¡Atención!** Cuando se haya instalado más de un punto de anclaje, se recomienda identificar cada dispositivo con un número, el cual deberá aparecer en la

tarjeta de identificación y de control y en el plano esquemático de instalación.
5.6 - ADVERTENCIAS EN 959:2007. Los usos aprobados se muestran en las ilustraciones (Fig. 7.3÷7.6). Para la conexión al orificio de anclaje hay que utilizar un mosquetón de conexión conforme a la norma EN 12275.

6) CONTROL PERIÓDICO. Al menos cada 12 meses (6 meses para uso en el mar), es indispensable realizar un control profundo del dispositivo por parte del fabricante o de personal competente expresamente habilitado por el mismo fabricante. Esta frecuencia puede variar en función de la frecuencia y de la intensidad de uso. La ejecución de los controles periódicos regulares es indispensable para garantizar la eficacia y durabilidad continua del dispositivo del cual depende la seguridad del usuario. Los resultados de los controles serán presentados en la ficha correspondiente que se suministra y debe acompañar a cada dispositivo.

¡Atención! A falta de la ficha, o de ser ilegible, no utilice el dispositivo. **Ficha de identificación del dispositivo (Fig. A):** A) Marca comercial; B) Fabricante; C) Producto (tipo, modelo, código); D) Usuario (sociedad, nombre y dirección); E) Número de serie / partida; F) Año de fabricación; G) Fecha de compra; H) Fecha del primer uso; I) Fecha de caducidad; L) Normas de referencia; M) Laboratorio que ha realizado las pruebas de conformidad. **Ficha de control periódico del dispositivo (Fig. B):** O) Fecha; P) Motivo del control: control periódico o control excepcional; Q) Nombre y firma del responsable del control; R) Anotaciones (defectos detectados, reparaciones efectuadas u otras informaciones pertinentes); S) Resultado del control: dispositivo apto para el uso, dispositivo no apto para el uso o dispositivo que debe verificarse; T) Fecha del próximo control. **¡Atención!** Se recomienda marcar el anclaje con la fecha del último o del siguiente control (por ejemplo, con una tarjeta indeleble que no altere la estructura del anclaje).

As instruções de uso deste dispositivo são constituídas por uma parte geral e por uma específica, e ambas devem ser lidas atentamente antes da utilização.

Atenção! Este folheto traz somente as instruções específicas.

INSTRUÇÕES ESPECÍFICAS PARA AS PLACAS DE ANCORAGEM / PINOS / PARADAS.

1) CAMPO DE APLICAÇÃO. EN 795:2012 tipo A: Dispositivo de ancoragem tipo A, reservado ao uso por uma só pessoa. EN 959:2007 e UIAA-123: ancoragem da rocha para a proteção contra as quedas do alto. **Atenção!** Uma ancoragem é assim definida quando é constituída pela união de pino e placa. Para instalar uma ancoragem em conformidade com as normas indicadas na tabela (Fig. 3) e para obter as cargas mínimas garantidas (Fig. 3) devem ser respeitadas as combinações de pino/placa indicadas, com as quais foram superados os testes previstos pelas normas. **Atenção!** Uma parada de descida ou de ancoragem é assim definida quando é constituída por duas ancoragens corretamente instaladas.

2) NOMENCLATURA DAS PEÇAS (Fig. 1). A) Furo para parafusos/pino de fixação. B) Corpo da placa. C) Anel (somente para modelos 4A213, 4A218 e 4A21812). D) Anel de ancoragem. E) Corrente de conexão. F) Conector de ancoragem. Exemplos de sistemas de ancoragem (Fig. 1.4): G) Estrutura metálica; H) Suporte em rocha ou concreto. I) Sistema de fixação removível (parafusos, porca e arruela); J) Sistema de fixação não removível (pino, porca e arruela). M) Porca de aperto. N) Arruela. O) Pino.

3) MARCAÇÃO. No dispositivo estão listadas as seguintes indicações (Fig. 2): 1) Normas de referência. 2) Nome do fabricante ou do responsável pela comercialização. 3) Diâmetro do furo. 4) Modelo do produto. 5) Indicação que o dispositivo é adequado ao uso por uma só pessoa de cada vez. 6) Material de construção (aço inox AISI 316L / AISI 904L). 7) Cargas mínimas garantidas pela ancoragem (Fig. 3/7.1). 8) Logotipo avisando o usuário para ler atentamente as instruções antes do uso. 9) Número do lote (BB) e ano de produção (YY).

4) CONTROLES. Antes de cada uso verificar que: não hajam sinais de gasto, trincas, corrosão ou deformação; a porca de fixação não esteja desapertada; as bordas do furo de ancoragem não apresentem arestas cortantes; não haja sujeira (por ex. areia ou lama).

4.1 - Controles EN 795:2012. Antes de cada uso é necessário além disso: assegurar-se que todos os dispositivos utilizados sejam compatíveis, tenham a correta referência normativa e estejam em perfeito estado de funcionamento; assegurar-se que as fichas de manutenção de cada dispositivo estejam corretamente preenchidas e estejam atualizadas; ter ponderado com atenção a via de acesso mais segura, estar equipado adequadamente e haver previsto um procedimento de socorro para o resgate do operador em dificuldade; verificar, no caso de uso em um sistema de parada de queda, o espaço livre necessário sob o utilizador em correspondência ao local de trabalho, de modo que, em caso de queda, não haja colisão com o solo ou outros obstáculos presentes na trajetória da queda. **Atenção!** Caso o dispositivo de ancoragem tenha contribuído a parar uma queda interromper o uso e substituí-lo.

5) INSTALAÇÃO / USO. Antes da instalação é necessário avaliar atentamente a qualidade e as condições do suporte (ver 5.1), a compatibilidade com outros componentes, a influência de fatores externos (por ex. ambiente marinho) na duração de vida (ver 5.2), a exposição climática, as temperaturas externas (-40°C÷80°C) e as possíveis correntes parasitas (que dependem do tipo de rocha, cimento, aterramento etc.) presentes no suporte.

5.1 - Suporte. Uma ancoragem possui cargas mínimas de retenção verificadas e garantidas (Fig. 3/7.1). Estas cargas de retenção não podem ser garantidas se o suporte no qual está inserido o elemento de fixação não tiver pelo menos as mesmas características de desempenho do bloco de cimento utilizado nos testes (resistência à compressão 50 N/mm²). **Atenção!** Rocha macia (por ex. arenito, conglomerado, etc.) ou áreas de rocha pouco sólidas (presença de micro trincas, espaços vazios etc.) podem haver características de desempenho não suficientes para garantir as cargas mínimas de retenção. Nestes casos, para obter a capacidade de carga requerida, pode ser necessário utilizar um pino de fixação de comprimento maior ou escolher um suporte/ponto de instalação diferente (escolha preferível quando possível). Em alguns casos pode ser conveniente efetuar testes no local com pinos de fixação de diferentes comprimentos e/ou tipo e testar a capacidade de carga.

5.2 - Duração de vida. A duração de vida e as cargas de retenção podem sofrer uma drástica redução devido à corrosão. A corrosão pode ocorrer quando o metal dos parafusos/pino de fixação for diferente do da placa (corrosão galvânica): por este motivo, segundo a norma EN 959, todas as peças do dispositivo de ancoragem devem ser realizadas no mesmo material. São então utilizados somente parafusos, pinos, porcas e arruelas de fixação do mesmo aço inox (AISI 316L ou HCR AISI 904L / AISI 926). **Atenção!** O uso em ambiente marinho (falésia no mar, ou em cada outro ambiente muito corrosivo) é causa de corrosão e a duração de vida da ancoragem se reduz notavelmente: neste caso deve ser aumentada a frequência dos controles periódicos (a cada seis meses) seja da

placa que do sistema de fixação. **Atenção!** A influência de tal ambiente pode ser sentida também a distância de alguns quilômetros do mar.

5.3 - Serie HCR. Os modelos da série HCR são feitos de aço de elevada resistência HCR (AISI 904L, AISI 926, etc.). São ideais para a instalação em ambientes muito corrosivos (por ex. falésia no mar) onde a ancoragem poderia ser submetida à corrosão sob esforço (Stress Corrosion Cracking). **Atenção!** A placa 4A10712 deve ser utilizada somente com o pino 4A108110. **Atenção!** Para a duração de vida seguir de qualquer forma as indicações presentes no parágrafo 5.2.

5.4 - Instalação / desinstalação (Fig. 5). A instalação do dispositivo deve ser efetuada por pessoas competentes e deve ser verificada de modo apropriado. Para instalação na rocha ou em cimento proceder no seguinte modo: verificar a qualidade do suporte em torno da ancoragem assegurando-se que a rocha seja compacta e homogênea; praticar um furo com diâmetro e profundidade adequados (Fig. 5.1); limpar cuidadosamente o furo com um jato de ar (Fig. 5.2) e então com uma escova (Fig. 5.3); inserir o pino de fixação com a placa no furo até o fundo (Fig. 5.4); apertar a porca de fixação aplicando o torque de aperto prescrito através da chave dinamométrica (Fig. 5.5). Após cada instalação, verificar que o relançamento se mova livremente na placa (Fig. 5.5). Utilizar um pino de diâmetro apropriado ao da placa (por exemplo, pino de diâmetro 12 mm para placa de diâmetro 12 mm). **Atenção!** Se o pino sobressair demais, isso poderia se tornar um obstáculo para o livre movimento do relançamento na placa (máx 4 mm - Fig. 5.5). A eventual desinstalação do dispositivo pode ser efetuada desbloqueando o sistema de fixação (desparafusar a porca de fixação), retirando a placa e verificando que a mesma não apresente deformações que prejudiquem a sua reutilização. **Atenção!** caso se proceda a um reposicionamento da placa, apertar eventuais porcas através da chave dinamométrica, aplicando o torque de aperto prescrito. **Atenção!** A placa 4A10308 não está em conformidade com as normas EN 959 e EN 795 tipo A. **Atenção!** Verificar que os dispositivos (cordas, relançamentos, sistemas de retenção etc.) conectados à ancoragem não esfreguem contra materiais abrasivos ou peças cortantes.

5.5 - Instalação de paradas. Para o posicionamento das paradas (mod. 4A218, 4A219, 4A221) respeitar as distâncias entre as duas ancoragens conforme indicado (Fig. 5.8) e proceder à instalação como indicado no ponto 5.3. **Atenção!** para uma instalação em conformidade com as normas indicadas os artigos 4A218, 4A221 e 4A222 são instalados com o pino 4A105090 enquanto os artigos 4A21812, 4A22112 e 4A22212 são instalados com o pino 4A106110.

5.6 - ADVERTÊNCIAS EN 795:2012. Qualquer atividade desenvolvida além de dois metros de altura pressupõe o emprego de Dispositivos de Proteção Individual (DPI) contra o risco de quedas. Antes de acessar a posição de trabalho devem ser considerados todos os fatores de risco (ambientais, concomitantes, consequenciais). A ancoragem é para o uso por uma só pessoa. Para a conexão ao furo de ancoragem é necessário utilizar um conector e, conformidade com a norma EN 362 com sistema de bloqueamento (Fig. 7.2). **Quando a ancoragem for parte de um sistema de parada de queda:** o usuário deve estar equipado com dispositivos que limitem a força desenvolvida durante a queda no máximo a 6 kN; é essencial, para a segurança do usuário, que o dispositivo esteja sempre corretamente posicionado e que o trabalho seja efetuado de modo a reduzir ao mínimo o risco de queda e a altura da queda; uma cadeirinha anti-queda EN 361 é o único dispositivo de contenção do corpo com utilização permitida; a ancoragem do sistema deve ser preferivelmente situada acima da posição do usuário e deve responder aos requisitos da norma EN 795 (resistência mínima 12 kN). **Atenção!** Se o dispositivo de ancoragem apresentar uma deformação qualquer, não utilizá-lo e providenciar a sua imediata substituição. **Atenção!** O dispositivo de ancoragem deve ser usado somente nos sistemas de proteção contra as quedas, não em sistemas de levantamento.

Notas para a instalação. Verificar que a marcação seja acessível e legível, se assim não o for, fixar uma marcação adicional perto da ancoragem. Uma cópia da documentação da instalação deve ser entregue ao usuário, e mantida no local de trabalho, esta fornece informações sobre a correta instalação e manutenção da ancoragem. Esta documentação é indispensável às verificações periódicas do dispositivo. A documentação de instalação deve conter pelo menos as seguintes informações: A) Endereço e posição da ancoragem; B) Informações gerais sobre a empresa que efetuou a instalação; C) Nome da pessoa responsável que executou a instalação; D) Identificação do produto (fabricante, tipo, modelo,...); E) Especificações do sistema de fixação (fabricante, produto, força de tração e força de cisalhamento máximas,...); F) Plano esquemático da instalação (por ex. de um teto), e informações importantes para os usuários, como por exemplo onde se encontram os pontos de ancoragem (por ex. informações relevantes sobre um teto em caso de neve). Este plano esquemático deve ser fixado no edifício/local de trabalho de modo que seja visível ou disponível para todos. O instalador publica uma declaração assinada, na qual especifica que o dispositivo de ancoragem: A) foi instalado segundo as instruções do fabricante; B) foi instalado segundo o quanto previsto pelo plano de segurança; C) foi fixado ao suporte especificado; D) foi fixado como especificado (por ex. número de parafusos, material correto, posição correta,...); E) foi fornecido com documentação fotográfica

(sobretudo quando os elementos de fixação e suporte não são mais visíveis após a instalação). **Atenção!** é recomendável, onde mais de um ponto de ancoragem tiver sido instalado, identificar cada ancoragem com um número, a ser listado na ficha de identificação e controle e no plano esquemático da instalação.

5.7 - ADVERTÊNCIAS EN 959:2007. Os modos de uso são ilustrados na figura (Fig. 7.3÷7.6). Para a conexão ao furo de ancoragem é necessário utilizar um conector em conformidade com a norma EN 12275.

6) VERIFICAÇÃO PERIÓDICA. Pelo menos a cada 12 meses (6 meses para usos próximo ao mar ou off-shore) é indispensável uma verificação detalhada do dispositivo pelo construtor ou por pessoal competente expressamente habilitado pelo próprio construtor. Esta frequência pode ser variada em função da frequência e da intensidade de uso. A execução das verificações periódicas regulares é indispensável para garantir a eficiência contínua e durabilidade do dispositivo, das quais depende a segurança do usuário. Os resultados das verificações serão apresentados na ficha para tal finalidade, que compõe o kit e deve acompanhar cada dispositivo. **Atenção!** Na ausência da ficha, ou caso seja ilegível, não usar o dispositivo. **Cartão de identificação do dispositivo (Fig. A):** A) Marca comercial; B) Fabricante; C) Produto (tipo, modelo, código); D) Usuário (empresa, nome e endereço); E) número de série / lote; F) Ano de fabricação; G) Data da compra; H) Data da primeira utilização; I) Data de validade; L) Normas de referência; M) Laboratório que efetuou os testes de conformidade. **Cartão de inspeção periódica do aparelho (Fig. B):** O) Data; P) Motivo da inspeção: inspeção periódica ou inspeção excepcional; Q) Nome e assinatura do verificador; R) Notas (defeitos detectados, reparos ou outras informações relevantes); S) Resultado da inspeção: dispositivo adequado à utilização, dispositivo não adequado à utilização ou o dispositivo a ser testado; T) Data da inspeção seguinte. **Atenção!** É recomendado marcar a ancoragem com a data da última ou da próxima inspeção (por ex. com cartão indelével que não altere a estrutura da ancoragem).

Bruksanvisningen för denna utrustning innehåller en allmän del och en specifik del, båda delarna måste läsas igenom noggrant innan användningen påbörjas. **Varning!** Detta blad innehåller endast specifika instruktioner.

SPECIFIKA INSTRUKTIONER FÖR FÖRANKRINGPLATTOR / PLUGGAR / STANDPLATSER.

1) ANVÄNDNINGSSOMRÅDE. EN 795:2012 typ A: Förankringsanordning typ A, avsedd för användning av endast en person. EN 959:2007 och UIAA-123: stenförankring som skydd mot fall från höga platser. **Obs!** En förankring definieras som sådan när den består av en kombination av plugg och platta. För att installera en förankring som motsvarar de standarder som anges i tabellen (Fig. 3) och för att uppnå de garanterade minimilasterna (Fig. 3) måste den angivna kombinationen av plugg/platta respekteras, som de standardenliga provningarna har utförts med. **Obs!** Ett firingsankare eller en standplats definieras som sådan när den består av två korrekt installerade förankringar.

2) NAMN PÅ DELARNA (Fig. 1). A) Hål för skruv / fästplugg. B) Plattans stomme. C) Ring (endast modellerna 4A213, 4A218 och 4A21812). D) Förankringsring. E) Kopplingskedja. F) Förankringskoppling. Exempel på förankringssystem (Fig. 1.4): G) Metallstruktur; H) Stöd i sten eller betong. I) Löstagbart fästsystem (skruv, mutter och bricka); L) Icke-lösttagbart fästsystem (plugg, mutter och bricka). M) Låsmutter. N) Bricka. O) Plugg.

3) MÄRKNING. På utrustningen finns följande information (Fig. 2): 1) Referensstandarder. 2) Tillverkarens namn eller namn på den som släppt ut utrustningen på marknaden. 3) Hålens diameter. 4) Produktmodell. 5) Angivning om att anordningen är avsedd för användning av en enda person åt gången. 6) Tillverkningsmaterial (rostfritt stål AISI 316L / AISI 904L). 7) Garanterade min. belastningar för förankringen (Fig. 3/7.1). 8) Logo som meddelar att användaren ska läsa instruktionerna noga före användningen. 9) Partinummer (BB) och produktionsnummer (YY).

4) KONTROLLER. Kontrollera före varje användning att: det inte finns tecken på slitage, sprickor, korrosion eller deformationer; att fästmuttern inte sitter löst; att förankringshålens kanter inte har vassa kanter; att det inte finns smuts (t.ex. sand eller lera).

4.1 - INSTALLERING / ANVÄNDNING. Före varje användning är det dessutom nödvändigt att: kontrollera att alla anordningar är kompatibla, är försedda med de korrekta referensstandarderna och att de är i perfekt funktionsskick; kontrollera att underhållskorten för varje anordning har uppdaterats korrekt; ha noggrant beräknat den säkraste åtkomstvägen, ha utrustat sig på rätt sätt och ha förutsett rutiner för räddning av operatörer i problemsituation; kontrollera, i ett fallstoppssystem det fria utrymmet som krävs under användaren på arbetsplatsen så att det inte vid fall orsakas kollision med marken eller andra hinder på fallrouten. **Obs!** Om en förankringsanordning har bidragit till att stoppa ett fall, avbryt användningen och byt ut den.

5) INSTALLERING / ANVÄNDNING. Före installeringen ska man nogga uppskatta stödets kvalitet och tillstånd (vedi 5.1), kompatibiliteten med andra komponenter, påverkan av yttre faktorer (t.ex. havsmiljö) på livslängden (vedi 5.2), l'esposizione climatica, de yttre temperaturerna (-40°C÷80°C) och den eventuella läckströmmen corrente vaganti (som beror på typen av bergart, cement, jordning etc.) presenti i stödet.

5.1 - Stöd. En förankring har kontrollerade och garanterade brottbelastningar (Fig. 3-7.1). Dessa brottbelastningar kan inte garanteras om stödet som fästelementet har fästs vid inte har minst samma prestanda som cementblocket som använts i testerna (kompressionshållfasthet 50 N/mm²). **Obs!** Mjukare bergarter (es. sandsten, konglomerat, etc.) eller områden med mindre fasta bergarter (med mikrosprickor, tomma fickor etc.) kan ha en otillräckliga prestandaegenskaper för att garantera de minsta brottlasterna. I dessa fall kan det vara nödvändigt att använda en längre fästplugg eller välja en annan stöd-/installeringspunkt (välj detta om möjligt) för att uppnå den krävda lastkapaciteten. I vissa fall kan det vara bra att utföra prov på platsen med fästpluggar av olika längder och/eller typer och testa deras lastkapacitet..

5.2 - Livslängd. Livslängden och brottbelastningarna kan drastiskt minska på grund av korrosion. Korrosion kan förekomma om skruvens/fästpluggens metall är olika än plattans (galvanisk korrosion): därför ska alla förankringsanordningens delar enligt EN 959 standarden vara tillverkade av samma material. Man ska alltså endast använda skruvar, pluggar, muttrar och fästbrickor av samma klass av rostfritt stål (AISI 316L eller HCR AISI 904L / AISI 926). **Obs!** Användning i havsmiljö (havsklippor, eller annan ytterst korrosiv miljö) orsakar korrosion och förankringens livslängd minskar betydligt: i detta fall ska man öka frekvensen på de periodiska kontrollerna (var 6:e månad) både för plattan och fästsystemet. **Obs!** Inflytandet av denna miljö kan kännas även några kilometer från havet.

5.3 - Serie HCR. Modellerna i HCR-serien är gjorda av HCR-korrosionsbeständigt rostfritt stål (AISI 904L, AISI 926 etc.). De är idealiska för installering i ytterst korrosiva omgivelningar (t.ex. havsklippor) där förankringen kan utsättas för spänningskorrosion (Stress Corrosion Cracking). **Obs!** Plattan 4A10712 får endast användas med pluggen 4A108110. **Obs!** För livslängden följ anvisningarna i avsnittet 5.2.

5.4 - Installering / borttagning (Fig. 5). Installeringen av anordningen får endast utföras av kompetenta personer och den måste kontrolleras på lämpligt sätt. För installering i sten och cement gör på följande sätt: kontrollera kvaliteten på stödet runt förankringen och säkerställ att stenen är kompakt och enhetlig; gör ett hål av lämplig diameter och djup (Fig. 5.1); rengör hålet noggrant med en luftstråle (Fig. 5.2) och sedan med en borste (Fig. 5.3); för in fästpluggen med plattan helt in i hålet (Fig. 5.4); dra åt fästmuttern med en momentnyckel till det angivna vridmomentet (Fig. 5.5). Kontrollera efter varje installering att expresslingen rör sig fritt i repbromsen (Fig. 5.5). Använd en plugg vars diameter är lämplig för repbromsen (t.ex. plugg med diameter 12 mm för repbroms med diameter 12 mm). **Obs!** Om pluggen skjuter ut för mycket kan det förhindra att expresslingen rör sig fritt i repbromsen (max 4 mm - Fig. 5.5). Anordningen kan avinstalleras genom att frigöra fästsystemet (lossa fästmuttern), ta bort plattan och kontrollera att den inte har deformationer som negativt kan påverka återanvändningen av den. **Obs!** Om plattan placeras tillbaka, dra åt eventuella muttrar till det angivna vridmomentet med en momentnyckel. **Obs!** Plattan 4A10308 motsvarar inte standarderna EN 959 och EN 795 typ A. **Obs!** Kontrollera att anordningarna (rep, expresslingor, fästhållningsanordningar etc.) som är kopplade till förankringen inte gnids mot abrasiva material eller vassa delar.

5.5 - Installering av standplattor. För placeringen av standplattorna (mod. 4A218, 4A219, 4A221) ska man respektera avstånden mellan de två förankringarna enligt bilden (Fig. 5.8) och fortsätta med installationen enligt punkt 5.3. **Obs!** För en installering som motsvarar de angivna standarderna ska artiklarna 4A218, 4A221 och 4A222 installeras med pluggen 4A105090 medan artiklarna 4A21812, 4A22112 och 4A22212 ska installeras med pluggen 4A106110.

5.6 - VARNINGAR EN 795:2012. Alla aktiviteter som utförs på över två meters höjd förutsätter att individuell skyddsutrustning (DPI) används för att skydda mot fallrisken. Innan man går till arbetspositionen ska man ta i beaktande alla riskfaktorer (gällande miljön, samtida, följder). Förankringen är avsedd att användas av en enda person. För att koppla till förankringshålet ska man använda en karbinhake som motsvarar standarden EN 362 med låssystem (Fig. 7.2). **När förankringen är en del av ett fallskyddssystem:** användaren måste vara försedd med anordningar som begränsar kraften som utvecklas under ett fall till max. 6 kN; det är väsentligt för användarens säkerhet att anordningen är korrekt positionerad och att arbetet utförs så att risken för fall och fallhöjden minskas möjligtst mycket; en fallskyddssele EN 361 är den enda anordningen för fästhållning av kroppen som får användas; systemets förankring ska helst vara placerad högre än användaren och den ska motsvara kraven i standarden EN 795 (minimiresistans 12 kN). **Obs!** Om förankringsanordningen är på något sätt deformerad, använd den inte utan byt ut den omedelbart. **Obs!** Förankringsanordningen får endast användas i fallskyddssystem, inte i lyftsyst.

Anmärkingar för installeringen. Kontrollera att märkningen är tillgänglig och läsbar. Om den inte är det, fäst en extra märkning i närheten av förankringen. En kopia av installeringsdokumentationen ska ges till användaren, och förvaras på arbetsplatsen. Den ger information om korrekt installering och underhåll av förankringen. Denna dokumentation är oundgänglig för att utföra periodiska kontroller av anordningen. Installationsdokumentationen ska innehålla åtminstone följande information: A) Förankringens adress och position; B) Uppgifter om installeringsfirman; C) Namn på den person som har utfört installeringen; D) Identifikation av produkten (tillverkare, typ, modell,...); E) Information om fästsystemet (tillverkare, produkt, max. dragkraft och max. skjuvhållfasthet,...); F) Schematisk installationsplan (t.ex. för ett tak), och viktig information för användarna, såsom till exempel förankringpunkternas placering (t.ex. viktig information för ett tak om det finns snö). Denna schematiska plan ska fästas i byggnaden/på arbetsplatsen så att den är synlig och tillgänglig för alla. Installatören utfärdar en undertecknad deklaration om att förankringsanordningen: A) har installerats enligt tillverkarens anvisningar; B) Har installerat enligt säkerhetsplanen; C) Har fästs vid det angivna stödet; D) Har fästs såsom angivet (t.ex. antal bultar, korrekt material, korrekt position,...); E) Är försedd med fotografisk dokumentation (i synnerhet om fäst- och stödelementen inte längre är synliga efter installeringen). **Obs!** Om flera än en förankringspunkt har installerats rekommenderar vi att identifiera varje enskild förankring med ett nummer som skrivs upp på identifikations- och kontrollkortet och på den schematiska installationsplanen.

5.7 - VARNINGAR EN 959:2007. Användningssätten visas på bilden (Fig. 7.3÷7.6). För koppling till förankringshålet ska man använda en karbinhake som motsvarar standarden EN 12275.

6) PERIODISK KONTROLL. En fördjupad kontroll av utrustningen är nödvändig minst en gång om året (6 månader för användning nära havet eller till havs). Kontrollen ska utföras av tillverkaren eller av kompetent person som uttryckligen auktoriserats av tillverkaren. Detta kontrollintervall kan variera beroende på användningsfrekvens och intensitet. Utförandet av periodiska kontroller är oundgängligt för att kunna garantera utrustningens funktion och hållbarhet och därmed även användarens säkerhet. Kontrollresultaten ska antecknas på det specifika kontrollkort som tillhör och måste medfölja alla utrustningens delar. **Varning!** Om kortet saknas eller inte är läsligt, bör utrustningen inte användas. **Utrustningens identifikationsmärkning (Fig. A):** A) Varumärke; B) Tillverkare; C) Produkt (typ, modell,

kod); D) Användare (Företagets namn och adress); E) Serienummer/ partnr; F) Tillverkningsår; G) Inköpsdatum; H) Datum för första användning; I) Datum för sista användningsdag; L) Gällande normer; M) Laboratorium som utfört testerna för typgodkännande. **Kontrollkort för periodisk kontroll av utrustningen (Fig. B):** O) Datum; P) Anledning till kontroll: periodisk eller särskild kontroll; Q) Kontrollansvarigs namn och underskrift; R) Anmärkningar (upptäckta defekter, utförda reparationer eller annan relevant information); S) Kontrollresultat: utrustningen godkänd för användning, utrustningen ej godkänd för användning eller utrustningen måste genomgå ytterligare kontroll; T) Datum för nästa kontroll. **Obs!** Vi rekommenderar att märka ut förankringen med det senaste och följande inspektionsdatumet (t.ex. med outplånligt kort som inte ändrar på förankringens struktur).

Tämän laitteen käyttöohjeet koostuvat yleisestä ja yksityiskohtaisesta osasta, ja molemmat tulisi lukea huolellisesti ennen käyttöä. **Huomio!** Varoitukset! Tämä arkkis sisältää vain yksityiskohtaiset ohjeet.

ERITYISOHJEET ANKKURILEVYLLE / ISTUKKAILLE / VARMISTUSPAIKOILLE.

1) SOVELTAMISALUE. EN 795:2012 tyyppi A: Ankkuriväline tyyppiä A, varattu ainoastaan yhden henkilön käyttöön. EN 959:2007 ja UIAA-123: Kallioankkuri, joka suojaa ylhäältäputoamista vastaan. **Huomio!** Ankkuri mielletään ankkuriksi, kun se on rakennettu istukkaan ja levyn yhdistelmästä. Asentaaksesi taulukossa (kuva 3) esitettyjen normien mukainen ankkuri ja aikaansaadakseen taatut minimikuormat (kuva 3), täytyy noudattaa esitettyjä istukkaan/levyn yhdistelmiä, joilla on läpäisty normien määräämät testit. **Huomio!** Laskeutumisen tai ankkurin varmistuspaikka -nimitystä saa käyttää, kun se on rakennettu kahdesta oikein asennetusta ankkurista.

2) OSIEN NIMET (kuva 1). A) Reikä ruuveille/kiinnitystukkalle. B) Levyn runko. C) Rengas (ainoastaan mallit 4A213, 4A218 ja 4A21812). D) Ankkurirengas. E) Liitäntäketju. F) Ankkuriliitin. Esimerkkejä ankkurijärjestelmistä (kuva 1.4): G) Metallirakenne; H) Tuki kalliossa tai betonissa. I) Irrotettava kiinnitysjärjestelmä (ruuvit, mutteri ja aluslaatta); L) Ei-irrotettava kiinnitysjärjestelmä (istukas, mutteri ja aluslaatta). M) Kiristysmutteri. N) Aluslaatta. O) Istukas.

3) MERKINNÄT. Laitteeseen on merkitty seuraavat tiedot (kuva 2): 1) Viitenormit. 2) Valmistajan tai markkinoillelaskusta vastaavan tahon nimi. 3) Rei'än halkaisija. 4) Tuotteen malli. 5) Tieto siitä, että laite sopii kerrallaan vain yhden henkilön käytettäväksi. 6) Valmistusmateriaali (ruostumaton teräs AISI 316L / AISI 904L). 7) Ankkurin takaamat minimikuormat (kuva 3/7.1). 8) Logo, joka ohjeistaa käyttäjää lukemaan ohjeet huolellisesti ennen käyttöä. 9) Eränumero (BB) ja valmistusvuosi (YY).

4) TARKISTUKSET. Ennen jokaista käyttökertaa varmista, että: Ei ole havaittavissa kuluneisuuden merkkejä, murtumia, syöpmistä tai muodonmuutoksia; että kiinnitysmutteri ei ole löysällä; että ankkurirei'än reunat eivät ole terävät; että ei ole havaittavissa likaa (esim. hiekkaa tai mutaa).

4.1 - Tarkistukset EN 795:2012. Ennen jokaista käyttökertaa on välttämätöntä lisäksi: Tarkistaa, että kaikki käytettävät laitteet ovat yhteensopivia, että niihin on merkitty oikea normiviite, ja että ne toimivat täydellisesti; varmista, että jokaisen laitteen huoltokortit on koostettu oikein, ja että ne ovat ajan tasalla; olla harkinnut huolellisesti varmistuksen lipikäsytien, olla varustautunut asianmukaisesti ja suunnitellut pelastusmenettelyn vaikeuksiin joutuneen käyttäjän pelastamiseksi; varmista, jos käyttö tapahtuu osana putoamisenpidätysjärjestelmää, että käyttäjän alla on vaadittu tyhjiä tila työpistettä vastaan, jotta putoamisen sattuessa ei tapahtuisi törmäämistä maaperään tai muihin putoamisreitillä oleviin esteisiin. **Huomio!** Jos ankkurilaitetta on käytetty pysäyttämään putoaminen, keskeytä sen käyttö ja vaihda se.

5) ASENNUS / KÄYTTÖ. Ennen asennusta on arvioitava huolellisesti tuen laatu ja kunto (katso 5.1), yhteensopivuus muiden komponenttien kanssa, ulkoisten tekijöiden vaikutus (esim. meriympäristön) käyttöikä (katso 5.2), ilmastolle altistuminen, ulkolämpötilat (-40°C÷80°C), ja mahdolliset hajaviirrat (jotka riippuvat kallion ja sementin tyyppistä, maadoituksesta, jne.), jotka laitteessa on.

5.1 - Tuki Ankkurilla on varmistetut ja taatut minimikuormat, joita se kantaa (kuva 3-7.1). Näitä kannateltavia kuormia ei voida taata, jos tuki, johon on asetettu kiinnityselementti, ei ole suorituskyvyltään vähintään samanlainen, kuin testeissä käytetty betonilohkare (puristuksensietokyky 50 N/mm²). **Huomio!** Pehmeä kivi (esim. hiekkakivi, runkoaine, jne.) tai ei kovin kiinteät kallioalueet (mikrohalkeamien, ilmataskujen, jne. läsnäolo) voivat olla suorituskyvynäisyyksillään riittämättömiä takaamaan kannateltavia minimikuormat. Näissä tapauksissa vaadittu kuormakäyvänsä aikaansaamiseksi saattaa olla välttämätöntä käyttää pidempää kiinnitystukkasta, tai valita toinen tuki-/asennuspiste (valinta, jota pitää suosia aina, kun mahdollista). Joissakin tapauksissa saattaa olla tarkoituksenmukaista suorittaa tilannekohtaisia eripituisia ja/tai erityyppisiä kiinnitystukkoja, ja testata kuorman-sietokyky.

5.2 - Käyttöikä. Käyttöikä ja kannateltavat kuormat saattavat kärsiä dramaattisen pienenemisen syöpmisen seurauksena. Syöpmistä voi tapahtua, kun ruuvien/kiinnitystukkkaan metalli on erilaista, kuin levyn (galvaaninen korrosio): Tästä syystä EN 959 -normin mukaan ankkurilaitteen kaikki osat tulee olla valmistettu samasta materiaalista. On siis käytettävä ainoastaan ruuveja, istukkaita, muttereita ja kiinnityksen aluslaattoja, jotka on tehty samasta ruostumattomasta teräksestä (AISI 316L tai HCR AISI 904L / AISI 926). **Huomio!** Käyttö meriympäristössä (rantatörmällä merellä, tai missä tahansa muussa vahvasti syövyttävässä ympäristössä) on syöpmisen syy, ja ankkurin käyttöikä pienenee huomattavasti: Tässä tapauksessa määräämäänsä katsastusten tiheyttä tulee suurentaa (kerran kuudessa kuukaudessa) sekä levyn että liitäntäjärjestelmän osalta. **Huomio!** Kyseisenlaisen ympäristön vaikutus saattaa ulottua myös muutaman kilometrin etäisyydelle merestä.

5.3 - HCR-sarja. HCR-sarjan mallit on valmistettu erittäin korroosionkestävistä HCR-teräksestä (AISI 904L, AISI 926 jne.). Ne ovat ihanteellisia asennettaviksi vahvasti syövyttävissä ympäristöissä (esim. rantatörmässä merellä), missä ankkuriin saattaa kohdistua jännityskorroosiota (Stress Corrosion Cracking). **Huomio!** Levyä

4A10712 saa käyttää ainoastaan yhdessä istukkaalla 4A108110 kanssa. **Huomio!** Käyttöön edistämiseksi noudata kuitenkin kappaleen 5.2 ohjeita.

5.4 - Asennus / asennuksen purku (kuva 5). Laitteen asennuksen tulee suorittaa pätevä henkilöt, ja se tulee varmistaa asiaankuuluvalla tavalla. Asentaaksesi kalioon tai betoniin, toimi seuraavalla tavalla: Varmista ankkurin ympärillä olevan tuen laatu varmistaen, että kallio on tiivis ja yhtenäinen; tee reikä, joka on halkaisijaltaan ja syvyydeltään sopiva (kuva 5.1); puhdista reikä tarkasti ilmapumpulla (kuva 5.2) ja sitten horjalla (kuva 5.3); aseta kiinnitystukas yhdessä levyn kanssa reikään pohjaan asti (kuva 5.4); kiristä kiinnitysmutteri momenttiavaimen avulla soveltaen määrättyä kiristysmomenttia (kuva 5.5). Jokaisen asennuksen jälkeen varmista, että vipu liikkuu vapaasti levyssä (kuva 5.5). Käytä istukasta, jonka halkaisija sopii levyn halkaisijaan (esimerkiksi halkaisijaltaan 12 mm istukas halkaisijaltaan 12 mm levyille). **Huomio!** Jos istukas työntyy liikaa ulospäin, tämä saattaa haitata vivun vapaata liikkumista pienellä laatualla (max 4 mm -kuva 5.5). Laitteen mahdollinen asennuksen purku voidaan suorittaa vapauttamalla liitäntäjärjestelmä (höllentäen kiinnitysmutteri), poistaen levy ja tarkistaen, että siinä ei ole epämuodostumia, jotka estäisivät sen uudelleenkäytön. **Huomio!** Jos suoritetaan levyn uudelleensijoitus, kiristä mutteri momenttiavaimella, käyttäen määrättyä kiristysmomenttia. **Huomio!** Levy 4A10308 ei ole yhteensopiva normien EN 959 ja EN 795 tyyppi A:n kanssa. **Huomio!** Varmista, että ankkuriin liitetyt laitteet (köydet, vivut, pidätysjärjestelmät, jne.) eivät hankaa hiovia materiaaleja tai teräviä osia vasten.

5.5 - Varmistuspaikkojen asennus. Varmistuspaikkojen sijoittamisessa (mallit 4A218, 4A219, 4A221) noudata kahden ankkurin välistä etäisyyttä, kuten näytetty (kuva 5.8) ja aloita asennus kohdassa 5.3. esitetyllä tavalla. **Huomio!** Jotta asennus olisi merkittyjen normien mukainen, tarvikkeet 4A218, 4A221 ja 4A222 tulee asentaa istukkaalla 4A105090, kun taas tarvikkeet 4A21812, 4A22112 ja 4A22212 tulee asentaa istukkaalla 4A106110.

5.6 - VAROITUKSET EN 795:2012. Kaikki yli kahden metrin korkeudessa tehtävät toimet edellyttävät henkilökohtaisten suojavarusteiden käyttöä putoamisriskiä vastaan. Ennen työpisteelle menoa tulee ottaa huomioon kaikki riskitekijät (ympäristölliset, rinnakkaiset, seuraamukselliset). Ankkuria tulee kerrallaan käyttää ainoastaan yhden henkilön. Ankkurireikään liittäessä varten tarvitsee käyttää EN 362 -normin mukaista liitintä, jossa on lukitusjärjestelmä (kuva 7.2). Kun ankkuri on osa putoamisenpidätysjärjestelmää: Käyttäjän tulee olla varusteltu laitteilla, jotka rajoittavat putoamisen aikana kehkeytynyttä voimaa korkeintaan 6 kN:iin; on äärimmäisen tärkeää käyttää turvallisuuden kannalta, että laite on aina sijoitettu oikein, ja että työ suoritetaan tavalla, joka minimoi putoamisriskin ja putoamiskorkeuden; putoamisenestoalajat EN 361 ovat ainoa kehoja kannatteleva väline, jota on sallittua käyttää; järjestelmän ankkurin tulee sijaita mieluiten käyttäjän sijainnin yläpuolella, ja sen pitää vastata normin EN 795 vaatimuksia (minimikestävyys 12 kN). **Huomio!** Jos ankkurilaitteessa on minkä tahansa lainen epämuodostuma, älä käytä sitä, ja vaihda se välittömästi. **Huomio!** Ankkurilaitetta tulee käyttää ainoastaan putoussuojajärjestelmissä, ei nostojärjestelmissä.

Huomautuksia asennuksesta. Varmista, että merkinnät ovat helposti nähtävissä ja luettavissa, ja jos ne eivät ole, aseta lisämerkintä ankkurin lähelle. Kopio asennusdokumentoinnista tulee toimittaa käyttäjälle, ja se tulee säilyttää työpisteellä. Se antaa tietoja ankkurin oikeanlaisesta asennuksesta ja huollosta. Tämä dokumentointi on välttämätöntä laitteen määräämäänsä tarkastuksissa. Asennusdokumentoinnin tulee sisältää ainakin seuraavat tiedot: A) Ankkurin osoite ja sijainti; B) Asennuksen suorittaneen yrityksen tiedot; C) Asennuksen suorittaneen työntekijän nimi; D) Tuotteen tunnistetiedot (valmistaja, tyyppi, malli...); E) Kiinnitysjärjestelmän tiedot (valmistaja, tuote, maksimivetovoima ja maksimileikkauvoima...); F) Asennuksen kaaviokuva (esim. katosta), ja tärkeitä tietoja käyttäjille esimerkiksi ankkuripisteiden sijainnista (esim. tähdellistä tietoa katosta lumisateen varalta). Tämä kaaviokuva tulisi ripustaa rakennukseen/työpisteeseen niin, että se on nähtävissä ja saatavilla kaikille. Asentaja antaa allekirjoitetun lausunnon, jossa hän tähdentää, että ankkurilaitte: A) on asennettu valmistajan ohjeiden mukaisesti; B) on asennettu turvallisuussuunnitelman mukaisesti; C) on kiinnitetty mainittuun tukeen; D) on kiinnitetty mainitulla tavalla (esim. pulttien määrä, oikea materiaali, oikea sijainti,...); E) on toimitettu kuvallisella dokumentoinnilla (varsinkin, kun kiinnitys- ja tukielementit eivät ole enää näkyvissä asennuksen jälkeen). **Huomio!** Siellä, minne on asennettu enemmän kuin yksi ankkuripiste, on suositeltavaa eritellä jokainen yksittäinen ankkuri numerolla, joka merkitään tunnistus- ja katsastuskorttiin sekä asennuksen kaaviokuvaan.

5.7 - VAROITUKSET EN 959:2007. Käytötavat on esitetty kuvassa (kuvat. 7.3÷7.6). Ankkurireikään liittäessä varten tulee käyttää EN 12275 -normin mukaista liitintä.

6) MÄÄRÄAikaistarkastukset. Vähintään 12 kuukauden välein (6 kuukauden välein meri- tai rantakäytössä) on suoritettava tarkka laitteen tarkastus valmistajan tai valmistajan nimenimaisesti sertifioitujen osaavien henkilökunnan toimesta. Tämä tiheys riippuu käytön määrästä ja tiheydestä. Määräämäänsä tarkastusten tekeminen säännöllisesti on tärkeää laitteen jatkuvan tehokkuuden ja kestävyuden kannalta, josta käyttäjän turvallisuus riippuu. Tarkastusten tulokset selostetaan asianmukaisesti lomakkeessa, joka toimitetaan jokaisen laitteen kanssa ja joiden on oltava laitteen mukana. **Varoitukset!** Jos lomake puuttuu tai on epäselvä, älä käytä laitetta. **Laitteen tunnistuskortti (kuva A):** A) Tavaramerkki; B) Valmistaja; C) Tuote (tyyppi,

malli, koodi); D) Käyttäjä (yritys, nimi ja osoite); E) Sarja-/eränumero; F) Valmistusvuosi; G) Ostopäivä; H) Ensimmäinen käyttöpäivä; I) Viimeinen käyttöpäivä; L) Säädösviittaukset; M) Laboratorio, joka on suorittanut säännönmukaisuuden tarkistamisen. **Laitteen määräaikaistarkastuksen kortti (kuva B):** O) Päivämäärä; P) Tarkastuksen syy: määräaikaistarkastus tai poikkeuksellinen tarkastus; Q) Tarkastuksesta vastaavan nimi ja allekirjoitus; R) Huomautukset (havaitut viat, tehdyt korjaukset tai muut tarvittavat tiedot); S) Tarkastuksen tulos: laite soveltuu käytettäväksi, laite ei sovi käytettäväksi tai laite on testattava; T) Seuraavan tarkastuksen päivämäärä. **Huomio!** Suosittelemme seuraavan tai viimeisen katsastuksen päivämäärän merkitsemistä ankkuriin (esim. pysyvällä kortilla, joka ei muuta ankkurin rakennetta).

Bruksanvisningen for denne enheten består av en generell del og en spesifikk del, og begge må leses nøye før bruk. **Obs!** Dette arket inneholder kun den spesifikke bruksanvisningen.

SPESIFIKKE INSTRUKSJONER FOR FORANKRINGSPLATER / FORANKRINGSBOLTER / TAUBREMSE

1) ANVENDELSESOMRÅDE. EN 795:2012 type A: Forankringsinnretning av type A, reservert for bruk av en enkelt person. EN 959:2007 og UIAA-123: forankring for fjell klating for beskyttelse mot fall fra høyden. **Obs!** En forankring defineres som dette når den består av en bolt og av en plate. For å installere en forankring i overensstemmelse med standardene som er angitt i tabellen (Fig. 3) og for å oppnå minste garantert belastning (Fig. 3) må du respektere de angitte kombinasjonene av bolter/plater, som har bestått testene som er forutsatt av standardene. **Obs!** En stans under nedstigning eller forankring defineres som dette når den består av to korrekt installerte forankringer.

2) BENEVNELSE PÅ DELENE (Fig. 1). A) Åpning for festeskruve/-bolt. B) Plate. C) Ring (kun for modeller 4A213, 4A218 og 4A21812). D) Forankringsring. E) Koblingskjede. F) Forankringskobling. Eksempler på forankringssystemer (Fig. 1.4): G) Metallstruktur; H) Støtte i stein eller betong. I) Avtakbart festesystem (skruer, mutter og skive); L) Festesystem som ikke kan fjernes (bolt, mutter og skive). M) Strammemutter. N) Skive. O) Bolt.

3) MERKING. Du finner følgende indikasjoner på enheten (Fig. 2): 1) Referansestandard. 2) Navn på produsenten eller for vedkommende som er ansvarlig for utstedelse på markedet. 3) Åpningens diameter. 4) Produktmodell. 5) Indikasjon som sier at enheten er egnet for å brukes av kun en person om gangen. 6) Konstruksjonsmateriale (rusfritt stål AISI 316L / AISI 904L). 7) Minimumsbelastning garantert av forankringen (Fig. 3/7.1). 8) Logo som varsler brukeren om å lese instruksjonene grundig før bruk. 9) Partnummer (BB) og produksjonsår (YY).

4) KONTROLLER. Før hver bruk må du kontrollere: at det ikke finnes noen tegn på slitasje, brudd, korrosjon eller deformeringer, at festemutteren ikke er løst, at kanten på forankringsåpningen ikke har skarpe kanter, at det ikke finnes smuss eller skitt (f.eks. sand eller leire).

4.1 - Kontroller EN 795:2012. Før hver bruk må du dessuten: forsikre deg om at alle innretningene som brukes er kompatible, at de er merket med korrekt referanse til standarder og at de er i perfekt funksjonell stand. Du må forsikre deg om at vedlikeholdskortene til alle innretningene er korrekt utfyllt og oppdatert, vurdert nøye den tryggeste adgangsveien, være korrekt utrustet og ha forutsatt en redningsprosedyre for innhenting av en eventuell operatør i vanskeligheter. kontroller dessuten, i tillegg til bruk i et fallsikringssystem, at det er nok fri plass under brukeren på arbeidsplassen, slik at det ved et eventuelt fall ikke vil kunne oppstå kollisjoner med bakken eller eventuelle andre hindringer innenfor fallbanen. **Obs!** Hvis forankringsinnretningen har bidratt til å stanse et fall må du slutte å bruke det og skifte den ut.

5) INSTALLASJON / BRUK. Før installasjon må du kontrollere kvaliteten og tilstanden til støttematerialet grundig (se 5.1), kompatibiliteten med de andre komponentene, påvirkningen av eksterne faktorer (f.eks. havmiljø), levetiden (se 5.2), klimatisk eksponering, utvendig temperatur (-40°C÷80°C) og eventuelle streifstrømmer (som avhenger av bergarten, sement, jording, etc.) som måtte finnes i festematerialet.

5.1 - Støtte. En forankring har kontrollerte og garanterte minimums lastebærende kapasitet (Fig. 3-7.1). Denne lastebærende kapasiteten kan ikke garanteres hvis støttematerialet for forankringen er festet ikke har de samme prestasjonsegenskapene som sementblokken som er brukt i testene (kompresjonsresistens på 50 N/mm²). **Obs!** RMykt fjell (f.eks. sandstein, konglomerat, etc.), eller områder med fjell som er lite solid (at det finnes små sprekker, tomme lommer, etc.), kan ha utilstrekkelige prestasjonsegenskaper til å garantere den lastebærende kapasiteten. I disse tilfellene kan du for å oppnå den nødvendige lastebærende kapasiteten bruke en lengre festebolt eller velge et annet støttemateriale/ installasjonssted (bør foretrekkes så fremt det er mulig). I noen tilfeller kan det være lurt å foreta noen tester på stedet, med brukt av bolter i forskjellige lengder eller av forskjellige typer for å teste den lastebærende kapasiteten.

5.2 - Levetid. Levetiden og den lastebærende kapasiteten kan gjennomgå en drastisk reduksjon som følge av korrosjon. Korrosjon kan forekomme når metallet i festeskruen/-bolten er annerledes enn det i platen (galvanisk korrosjon): av den grunn må alle delene i forankringssystemet være laget i det samme materialet, i henhold til standarden 959. Det må dermed brukes kun skruer, bolter, muttere og festeskriver av samme rustfrie stål (AISI 316L eller HCR AISI 904L / AISI 926). **Obs!** Bruk i havmiljø (klipper over sjøen, eller i andre svært korroderende miljøer) er årsak til korrosjon og varigheten til forankringsskruen reduseres betraktelig: i dette tilfellet må antallet regelmessige kontrolleres økes (hver sjette måned), både av platen og av festesystemet. **Obs!** Påvirkningen fra slikt miljø kan også skje flere kilometer fra havet.

5.3 - Serie HCR. Modellene i HCR-serien er laget av HCR rustfritt stål med høy korrosjonsmotstand (AISI 904L, AISI 926 osv.). De er ideelle i miljøer der korrosjon lett forekommer, (f.eks. klipper over havet), der forankringen kan utsettes for

korrosjon under belastning (Stress Corrosion Cracking). **Obs!** Platen 4A10712 må kun brukes med bolten 4A108110. **Obs!** For levetiden må du uansett følge indikasjonene gitt i avsnitt 5.2.

5.4 - Installasjon / avinstallasjon (Fig. 5). Installasjon av innretningen må gjennomføres av kompetente personer og må skje på en korrekt måte. For installasjon i fjell eller sement, gå fram som følger: kontroller kvaliteten på festematerialet rundt forankringspunktet. Forsikre deg om at fjellet er kompakt og homogent, lag et hull med egnet diameter og dybde (Fig. 5.1); rengjør åpningen grundig med å sprute luft (Fig. 5.2) og deretter med en børste (Fig. 5.3); sett festebolten med platen helt inn i hullet (Fig. 5.4); stram festemutteren ved å påføre det nødvendige strammemomentet ved hjelp av dynamotetriske nøkkel (Fig. 5.5). Etter hver installasjon må du kontrollere at returen beveges fritt i platen (Fig. 5.5). Bruk en bolt med en diameter som er egnet for diameteren på platen (for eksempel bolt med 12 mm diameter for plate med diameter på 12 mm). **Obs!** Hvis bolten stikker for mye ut vil dette kunne hindre fri bevegelse av returen i platen (maks. 4 mm - Fig. 5.5). En eventuell avinstallasjon av innretningen vil kunne skje ved å løse festesystemet (løse festemutteren), ved å fjerne platen og kontrollere at denne ikke har tegn på deformasjoner som ikke har noen virkning på en eventuell ny bruk. **Obs!** Hvis du skal fortsette med å plassere platen på et annet sted må du stramme eventuelle muttere med den dynamotetriske nøkkel ved bruk av angitt tiltrekkingsmoment.

Obs! Platen 4A10308 er ikke i samsvar med standardene EN 959 og EN 795 type A. **Obs!** Kontroller at innretningene (tau, returtrinser, festesystemer, etc.), som er koblet til forankringen ikke gnisser mot slappe materialer eller skarpe deler.

5.5 - Installasjon av taubremser. For plassering av taubremser (mod. 4A218, 4A219, 4A221) respekter avstandene mellom to forankringer som angitt (Fig. 5.8) og fortsett med installasjonen som angitt i punkt 5.3. **Obs!** For en installasjon som er i samsvar med de angitte standardene skal artiklene 4A218, 4A221 og 4A222 installeres med bolten 4A105090, mens artiklene 4A21812, 4A22112 og 4A22212 skal installeres med bolten 4A106110.

5.6 - ADVARSLER EN 795:2012. Alt arbeid som utføres i over to meters høyde forutsetter bruk av personlig verneutstyr (PVU) mot fallsikring. Før du går inn i arbeidsområdet må du ta hensyn til alle risikofaktorer (miljømessige, forurensende, konsekvensmessige). Forankringen er laget for å brukes kun av en person. For kobling til forankringsåpningen må du bruke et koblingsstykke i samsvar med standarden EN 362 med låsesystem (Fig. 7.2). Når forankringen er en del av et fallsikringssystem: Brukeren må være utstyrt med innretninger som begrenser kraften som utvikles under fallet til et maksimum på 6 kN; det er viktig for brukers sikkerhet at innretningen alltid er korrekt plassert og at arbeidet gjennomføres på en slik måte at faren for fall og fallhøyden reduseres til et minimum; fallsikringsselen EN 361 er den eneste kroppsdelen det er lov å bruke. Forankring av systemet skal helst skje over posisjonen der brukeren befinner seg og må være i samsvar med kravene av standarden EN 795 (minimumsresistens 12 kN). **Obs!** Hvis forankringssystemet skulle vise noen som helst tegn på deformasjon må du ikke bruke det, men straks skifte det ut. **Obs!** Forankringssystemet skal kun brukes i fallsikringssystemer, ikke i løftesystemer.

Merknader for installasjon. Kontroller at merkingen er tilgjengelig og leselig. Hvis den ikke er det må du påføre en egnet ekstra merking i nærheten av forankringen. En kopi av installasjonsdokumentasjonen må utleveres til brukeren, og oppbevares i nærheten av arbeidsplassen. Den gir informasjon om korrekt installasjon og vedlikehold av forankringen. Denne dokumentasjonen er uunnværlig for de regelmessige kontrollene av innretningen. Installasjonsdokumentasjonen må inneholde minst følgende informasjon: A) Plassering og adresse for forankring; B) Informasjon om firmaet som har gjennomført installasjonen; C) Navn på personen som har gjennomført installasjon; D) Identifikasjon av produktet (produsent, type, modell,...); E) Spesifikasjoner for festesystemet (produsent, produkt, maksimal strekk- og bruddkraft,...); F) Skjematiske installasjonsplan (f.eks. over et tak), og viktig informasjon for brukerne, slik som eksempel hvor forankringspunktene befinner seg (f.eks. relevant informasjon om et tak i tillegg av snø). Denne skjematiske planen skal være hengt opp i bygningen/på arbeidsplassen slik at den er synlig og tilgjengelig for alle. Installatøren utsteder en undertegnet erklæring, der vedkommende presiserer at forankringssystemet: A) Har blitt installert i henhold til produsentens instruksjoner; B) Har blitt installert i henhold til sikkerhetsplanen; C) Har blitt festet til spesifisert festemateriale; D) Har blitt festet som spesifisert (f.eks. antallet bolter, korrekt materiale, korrekt posisjon,...); E) Har blitt levert med fotodokumentasjon (særlig når festeelementene og støttene ikke er synlige etter installasjonen). **Obs!** Der hvor det er installert flere forankringspunkter anbefales det å identifisere hvert enkelt forankringspunkt med et nummer som skal indikeres på identifikasjons- og kontrollkortet og på den skjematiske installasjonsplanen.

5.7 - ADVARSLER EN 959:2007. Bruksmåtene er illustrert i figur (Fig. 7.3÷7.6). For kobling til forankringsåpningen må du bruke et koblingsstykke i samsvar med standarden EN 12275.

6) REGELMESSIG KONTROLL. Minst hver 12 måned (6 måneder for bruk i nærheten av havet eller offshore), må det gjennomføres en grundig kontroll av innretningen, utført av produsenten eller av kompetent personale som er autorisert av produsenten. Denne frekvensen kan varieres på bakgrunn av hvor ofte utstyret brukes og hvor intenst det brukes. Gjennomføring av regelmessige kontroller er helt nødvendig for å garantere kontinuerlig funksjon og levetid av innretningen, som

brukerens sikkerhet avhenger av. Kontrollresultatene er angitt på det egne medfølgende kortet som alltid skal følge innretningen. **Advarsel!** Hvis kortet mangler eller er uleselig må du ikke bruke innretningen. **Identifikasjonskort for innretningen (Fig. A):** A) Varemerke; B) Produsent; C) Produkt (type, modell, kode); D) Bruker (selskap, navn og adresse); E) Serie-/partinummer; F) Produksjonsår; G) Innkjøpsdato; H) Dato for første gangs bruk; I) Utløpsdato; L) Referansestandarder; M) Laboratorium som har foretatt samsvarstestene. **Kontrollkort for innretningen (Fig. B):** O) Dato; P) Årsak til kontrollen: regelmessig kontroll eller ekstraordinær kontroll; Q) Navn og underskrift for den som er ansvarlig for kontrollen; R) Bemerkninger (avdekkede defekter, gjennomførte reparasjoner eller annen aktuell informasjon); S) Resultat av kontrollen: innretning egnet for bruk, innretning uegnet for bruk eller innretning som må kontrolleres ytterligere; T) Dato for neste kontroll. **Obs!** Vi anbefaler å merke forankringen med datoen for siste eller neste inspeksjon (f.eks. med uutslettelig skilt som ikke har noen innvirkning på forankringens struktur).

Οι οδηγίες για τη χρήση της συσκευής αυτής αποτελούνται από ένα γενικό και ένα ειδικό μέρος, πρέπει να διαβάσετε προσεκτικά και τα δύο πριν από τη χρήση.

Προσοχή! Αυτό το φυλλάδιο περιέχει μόνο τις ειδικές οδηγίες.

ΕΙΔΙΚΕΣ ΟΔΗΓΙΕΣ ΑΓΚΥΡΙΑ / ΒΥΣΜΑΤΑ / ΣΤΑΜΑΤΗΜΑΤΑ.

1) ΠΕΔΙΟ ΕΦΑΡΜΟΓΗΣ. EN 795:2012 ΤΥΠΟΥ Α: συσκευή αγκύρωσης τύπου Α, αποκλειστικά για ατομική χρήση. EN 959:2007 και UIAA-123: Αγκύρια βράχου για την προστασία εναντίον πτώσεων από ψηλά. **Προσοχή!** Ένα αγκύριο καθορίζεται έτσι όταν αποτελείται από την ένωση βύσματος και πλακέτας. Για την εγκατάσταση ενός αγκυρίου σύμφωνα με τα πρότυπα που αναφέρονται στο πίνακα (εικ. 3) και για να επιδιωχθούν τα ελάχιστα εγγυώμενα φορτία (εικ. 3) πρέπει να σεβαστούν οι αναφερόμενοι συνδυασμοί βύσμα / πλακέτας, χάρη τους οποίους επιτεύχθηκαν τα τεστ που προβλέπονται από την νομοθεσία. **Προσοχή!** Ένα σταματήμα κατάβασης ή αγκύρωσης αποτελείται από δύο αγκύρια σωστά τοποθετημένα.

2) ΟΝΟΜΑΤΟΛΟΓΙΑ ΜΕΡΩΝ (Εικ. 1). Α) Οπή για βίδα / βύσμα σύνδεσης. Β) Σώμα πλακέτας. Γ) Δακτύλιος (μόνο για μοντέλα 4A213, 4A218 και 4A21812). Δ) Δακτύλιος αγκύρωσης. Ε) Αλυσίδα σύνδεσης. F) Συνδετήρας αγκύρωσης. Παραδείγματα συστημάτων αγκύρωσης (Εικ. 1.4): Γ) Μεταλλική δομή. Η) Στήριγμα σε βράχο ή σε σκυρόδεμα. Ι) Αποσπώμενο σύστημα σύνδεσης (βίδα, περικόχλιο, ροδέλλα). Ι) Μη αποσπώμενο σύστημα σύνδεσης (βύσμα, περικόχλιο, ροδέλλα). Μ) Περικόχλιο σύσφιξης. Ν) Ροδέλλα. Ο) Βύσμα.

3) ΣΗΜΑΝΣΗ. Στη συσκευή αναφέρονται οι παρακάτω ενδείξεις (Εικ. 2): 1) Πρότυπο αναφοράς. 2) Όνομα κατασκευαστή ή του υπεύθυνου διάθεσής στην αγορά. 3) Διάμετρος της οπής. 4) Μοντέλο προϊόντος. 5) Σημείωση ότι η συσκευή είναι κατάλληλη αποκλειστικά για ατομική χρήση. 6) Υλικό κατασκευής (ανοξείδωτο χάλυβα AISI 316L ή AISI 904L). 7) Ελάχιστο εγγυημένο φορτίο του αγκυρίου (Εικ. 3/7.1). 8) Λογότυπο που προειδοποιεί το χρήστη να διαβάσει προσεκτικά τις οδηγίες πριν από τη χρήση. 9) Αριθμός παρτίδας (BB) και έτος κατασκευής (YY).

4) ΕΛΕΓΧΟΙ. Πριν από κάθε χρήση βεβαιωθείτε ότι: δεν υπάρχουν σημάδια φθοράς, ρωγμές, διάβρωση ή παραμόρφωση. Τα άκρα των αγκυρίων να μην παρουσιάζουν κοφτερές ακμές. Να μην υπάρχουν ίχνη ακαθαρσιών (π.χ. άμμος ή λάσπη).

4.1 - Ελεγχος EN 795:2012. Πριν από κάθε χρήση, είναι επίσης απαραίτητο: να βεβαιωθείτε ότι όλες οι συσκευές που χρησιμοποιούνται είναι συμβατές, αναφέρονται τη σωστή νομοθετική ρύθμιση και είναι σε άριστη κατάσταση • να βεβαιωθείτε ότι τα δελτία συντήρησης κάθε συσκευής είναι σωστά συμπληρωμένα και ενημερωμένα • να έχετε εκτιμηθεί με προσοχή η πιο σίγουρη οδός έμβασης, να έχετε εξοπλιστεί κατάλληλα και να έχετε προβλέψει μια διαδικασία διάσωσης για τη συλλογή του χρήστη που βρίσκεται σε δυσκολία • να εξακριβώσετε, σε περίπτωση χρήσης σε ένα σύστημα έναντι πτώσης από ύψος, το ελάχιστο ελεύθερο ύψος κάτω από τα πόδια του χρήστη στο χώρο εργασίας ώστε, σε περίπτωση πτώσης, να μην υπάρξει σύγκρουση στο έδαφος ή σε άλλα εμπόδια που τυχόν να βρίσκονται στη πορεία της πτώσης. **Προσοχή!** Σε περίπτωση που η συσκευή αγκύρωσης βοήθησε την ανακοπή μίας πτώσης, διακόψτε τη χρήση της και αλλάξτε την άμεσα.

5) ΕΓΚΑΤΑΣΤΑΣΗ / ΧΡΗΣΗ. Πριν την εγκατάσταση είναι απαραίτητο να αξιολογήσετε προσεκτικά την ποιότητα και την κατάσταση του στηρίγματος (βλέπε 5.1), τη συμβατότητα με τα άλλα στοιχεία, την επίδραση εξωτερικών παραγόντων (π.χ. θαλάσσιο περιβάλλον) στη διάρκεια ζωής του (βλέπετε 5.2), την κλιματολογική έκθεση, τις εξωτερικές θερμοκρασίες (-40°C÷80°C) και τα πιθανά ρεύματα διασποράς (που εξαρτώνται από τον τύπο του πετρώματος, σκυρόδεμα, πάκτωση σε έδαφος, κλπ) που υπάρχουν στο στήριγμα.

5.1 - Στήριγμα. Τα αγκύρια έχουν ελάχιστα φορτία συγκράτησης που είναι πιστοποιημένα κι εγγυημένα (Εικ. 3-7.1). Αυτά τα φορτία συγκράτησης δεν εξασφαλίζονται αν το στήριγμα στο οποίο περάστηκε το στοιχείο στερέωσης δεν έχει τουλάχιστον τα ίδια χαρακτηριστικά απόδοσης του κυβόλιθου σκυροδέματος που χρησιμοποιήθηκε στις δοκιμές (αντοχή σε σύνθλιψη 50 N/mm²). **Προσοχή!** Μαλακό πέτρωμα (π.χ. ψαμμίτης, σύμπηγμα, κλπ) ή περιοχές με όχι πολύ στερεό πέτρωμα (παρουσία μικρορωγμών, κούφιοι φλοιοί κλπ) μπορεί να μην έχουν επαρκή χαρακτηριστικά απόδοσης ώστε να εξασφαλιστούν τα ελάχιστα φορτία συγκράτησης. Σε αυτές τις περιπτώσεις, προκειμένου να εξασφαλιστεί η απαιτούμενη ικανότητα συγκράτησης, μπορεί να χρειαστεί η χρήση ενός βύσματος αγκύρωσης μεγαλύτερου μήκους ή η επιλογή ενός διαφορετικού στηρίγματος (ηλίου πάκτωσης (επιλογή που κάνετε όποτε καθίσταται εφικτό). Σε μερικές περιπτώσεις μπορεί να είναι σκόπιμο να πραγματοποιήσετε κάποιες επί τόπου δοκιμές με βύσματα αγκύρωσης διαφορετικού μήκους, και / ή τύπου και να τεστάρετε την ικανότητα φορτίου.

5.2. - Διάρκεια ζωής. Η διάρκεια ζωής και τα φορτία συγκράτησης ενδέχονται να υποστούν δραστη μείωση λόγω διάβρωσης. Η διάβρωση μπορεί να διαπιστωθεί όταν τα διάφορα στοιχεία αγκύρωσης αποτελούνται από διαφορετικά μέταλλα (γαλβανική διάβρωση): για το λόγο αυτό, σύμφωνα με την οδηγία EN 959, (όλα τα μέρη της συσκευής αγκύρωσης πρέπει να είναι κατασκευασμένα από το ίδιο υλικό. Για αυτό το λόγο πρέπει να χρησιμοποιηθούν μόνο βίδες,

βύσματα, περικόχλια και ροδέλλες αγκύρωσης από το ίδιο ανοξείδωτο χάλυβα (AISI 316L ή HCR AISI 904L / AISI 926). **Προσοχή!** Η χρήση σε θαλάσσιο περιβάλλον αποτελεί αιτία διάβρωσης, σε αυτήν την περίπτωση πρέπει να αυξηθεί η συχνότητα περιοδικών ελέγχων (κάθε έξι μήνες) και της πλακέτας και του συστήματος σύσφιξης. **Προσοχή!** Η επίδραση ενός τέτοιου περιβάλλοντος μπορεί να γίνει αισθητή σε απόσταση μερικών χιλιομέτρων από την θάλασσα.

5.3 - Σειρά HCR. Τα μοντέλα της σειράς HCR είναι κατασκευασμένα από ανοξείδωτο χάλυβα (AISI 904L, AISI 926 κ.λπ.) και προσφέρουν μεγαλύτερη αντοχή ενάντια στη διάβρωση. Είναι ιδανικά για την εγκατάσταση σε πολύ διαβρωτικό περιβάλλον (π.χ. σε βράχο δίπλα στη θάλασσα) όπου το αγκύριο ενδέχεται να υποστεί διάβρωση υπό πίεση (Stress Corrosion Cracking). **Προσοχή!** Σε σι αφρορά τη διάρκεια ζωής αναφερθείτε στις υποδείξεις της παραγράφου 5.2.

5.4. - Εγκατάσταση / απεγκατάσταση (εικ. 5). Η εγκατάσταση της συσκευής πρέπει να γίνεται από αρμόδιο άτομο και να ελέγχεται κατάλληλα. Για την εγκατάσταση σε βράχο ή σε σκυρόδεμα προχωρήστε όπως ακολουθεί: καθαρίστε την επιφάνεια από τυχόν ακαθαρσίες ή τρίμματα πετρώματος ή σκυροδέματος, και βεβαιωθείτε ότι ο βράχος είναι σταθερός και ομοιογενής. Δημιουργήστε μια οπή κατάλληλης διαμέτρου και βάθους (εικ. 5.1). Καθαρίστε προσεκτικά την οπή με εκτόξευση αέρα (εικ. 5.2) και κατόπιν με ένα βουρτσάκι (εικ. 5.3). Βάλτε το βύσμα αγκύρωσης στην οπή με τη πλακέτα μέχρι βάθους (εικ. 5.4.). Σφίξτε το περικόχλιο σύσφιξης εφαρμόζοντας την αναφερόμενη ροπή σύσφιξης με ένα δυναμομετρικό κλειδί (εικ. 5.5.). Έπειτα από κάθε εγκατάσταση, βεβαιωθείτε ότι το σετ κινείται ελεύθερα μέσα στη πλακέτα (εικ. 5.5.). Χρησιμοποιήστε ένα βύσμα με διάμετρο κατάλληλη με αυτή της πλακέτας (π.χ. βύσμα διαμέτρου 12 mm για πλακέτα διαμέτρου 12 mm). **Προσοχή!** Αν το βύσμα προεξέχει υπερβολικά ενδέχεται να εμποδίσει την ελεύθερη κίνηση του σετ μέσα στη πλακέτα (μεγ. 4 mm / εικ. 5.5.). Η ενδεχόμενη απεγκατάσταση της συσκευής μπορεί να γίνει ξεμπλοκάροντας το σύστημα σύσφιξης (ξεβιδώνοντας το περικόχλιο σύσφιξης), βγάζοντας τη πλακέτα και ελέγχοντας ότι δεν παρουσιάζει παραμορφώσεις που να εμποδίζουν μία νέα χρήση της. **Προσοχή!** Σε περίπτωση μίας νέας εγκατάστασης της πλακέτας, σφίξτε ενδεχόμενο περικόχλιο με ένα δυναμομετρικό κλειδί, εφαρμόζοντας την αναφερόμενη ροπή σύσφιξης. **Προσοχή!** Η πλακέτα 4A103108 δεν είναι συμβατή με τις Οδηγίες EN 959 και EN 795 τύπου Α. **Προσοχή!** Βεβαιωθείτε ότι οι συσκευές (σχοινιά, σετ, συστήματα συγκράτησης) που συνδέονται με το αγκύριο δεν τρίβουν πάνω σε διαβρωτικά αντικείμενα ή σε κοφτερές πλευρές.

5.5 - Εγκατάσταση σταματημάτων. Για την εγκατάσταση των σταματημάτων (4A218, 4A219, 4A221) σεβαστείτε τις αποστάσεις ανάμεσα στα δύο αγκύρια όπως αναφέρεται (εικ. 5.8) και προχωρήστε με την εγκατάσταση όπως αναφέρεται στο σημείο 5.3. **Προσοχή!** Για μία εγκατάσταση συμβατή με τις αναφερόμενες οδηγίες, τα προϊόντα 4A218, 4A221 και 4A222 πρέπει να εγκατασταθούν με το βύσμα 4A105090, ενώ τα προϊόντα 4A12812, 4A22112 και 4A22212 πρέπει να εγκατασταθούν με το βύσμα 4A106110.

5.6 - ΣΗΜΑΝΣΕΙΣ EN 795:2012. Για οποιαδήποτε δραστηριότητα άνω των δύο μέτρων ύψους είναι αναγκαία η χρήση των Μέσων Ατομικής Προστασίας (ΜΑΠ) έναντι τον κίνδυνο πτώσεων. Πριν τη πρόσβαση στη θέση εργασίας είναι απαραίτητο να υπολογιστούν όλοι οι παράγοντες κινδύνου (περιβαλλοντικοί, συνακόλουθοι, επακόλουθοι). Το αγκύριο προορίζεται αποκλειστικά για ατομική χρήση. Για τη σύνδεση με την οπή του αγκυρίου πρέπει να χρησιμοποιηθεί ένας συνδετήρας συμβατός με την οδηγία EN 362 με σύστημα ασφάλισης (Εικ. 7.2). Όταν το αγκύριο είναι ενσωματωμένο σε ένα σύστημα ανακοπής πτώσης: ο χρήστης πρέπει να είναι εφοδιασμένος με συσκευές που περιορίζουν τη δύναμη που αναπτύσσεται στη διάρκεια της πτώσης μέχρι 6 kN μέγιστα • για τη ασφάλεια του χρήστη είναι αναγκαίο η συσκευή να είναι πάντα σωστά τοποθετημένη και η εργασία να πραγματοποιείται με τέτοιο τρόπο ώστε να ελαχιστοποιηθούν ο κίνδυνος και το ύψος της πτώσης • ένα μποντριέ ενάντια πτώσης συμβατό με την οδηγία EN341 αποτελεί τη μόνη συσκευή συγκράτησης του σώματος που επιτρέπει να χρησιμοποιηθεί • το αγκύριο του συστήματος πρέπει να τοποθετηθεί κατά προτίμηση ανώτερα από τη θέση του χρήστη και πρέπει να συμφορώνεται με τις προδιαγραφές της οδηγίας EN 795 (ελάχιστη αντοχή 12 kN). **Προσοχή!** Σε περίπτωση παραμόρφωσης της συσκευής αγκύρωσης διακόψτε τη χρήση της και αλλάξτε την άμεσα. **Προσοχή!** Η συσκευή αγκύρωσης προορίζεται αποκλειστικά για χρήση σε συστήματα προστασίας έναντι πτώσεων, και όχι σε συστήματα ανύψωσης.

Σημάνσεις για την εγκατάσταση. Βεβαιωθείτε ότι η σήμανση είναι ορατή και ευανάγνωστη, ειδάλλως τοποθετήστε μία πρόσθετη σήμανση κοντά στο αγκύριο. Ο χρήστης πρέπει να παραλάβει ένα αντίγραφο της τεκμηρίωσης της εγκατάστασης, που πρέπει να φυλάσσεται στη θέση εργασίας • η τεκμηρίωση αυτή περιέχει τις πληροφορίες για τη σωστή εγκατάσταση και συντήρηση του αγκυρίου. Η τεκμηρίωση είναι απαραίτητη για τους περιοδικούς ελέγχους της συσκευής. Η τεκμηρίωση της εγκατάστασης πρέπει να περιέχει τουλάχιστον τις ακόλουθες πληροφορίες: Α) Διεύθυνση και θέση του αγκυρίου • Β) Στοιχεία της εταιρίας που εκτέλεσε την εγκατάσταση • C) Όνομα του ατόμου που εκτέλεσε την εγκατάσταση • D) Ταυτοποίηση του προϊόντος (κατασκευαστής, σειρά, μοντέλο κλπ.) • E) Προδιαγραφές του συστήματος σύσφιξης (κατασκευαστής, προϊόν, μέγιστες δυνάμεις έλξης και κοπής, κλπ.) • F) Ενδεικτικός χάρτης εγκατάστασης (π.χ. μιας οροφής) και σημαντικές πληροφορίες για τους χρήστες, όπως π.χ. που βρίσκο

νται τα σημεία αγκύρωσης (π.χ. σημαντικές πληροφορίες για την οροφή σε περίπτωση χιονόπτωσης). Ο ενδεικτικός χάρτης πρέπει να εκτεθεί στο κτίριο/θέση εργασίας και να είναι ορατός ή διαθέσιμος σε όλους. Ο εγκαταστάτης εκδίδει μία έγγραφη δήλωση, με την οποία δηλώνει ότι η συσκευή αγκύρωσης: Α) εγκαταστάθηκε σύμφωνα με τις οδηγίες του κατασκευαστή • Β) εγκαταστάθηκε σύμφωνα με ότι αναφέρεται στο σχέδιο ασφάλειας • C) συνδέθηκε στο καθορισμένο υποστήριγμα • D) συνδέθηκε σύμφωνα με τις αναφερόμενες προδιαγραφές (π.χ αριθμός κοχλιών, κατάλληλα υλικά, σωστή τοποθέτηση κλπ.) • Ε) Προμηθεύτηκε με φωτογραφική τεκμηρίωση (ειδικά όταν τα στοιχεία σύσφιξης και στερέωσης δεν είναι πλέον ορατά μετά την εγκατάσταση). **Προσοχή!** Συνιστάται, όταν έχουν εγκατασταθεί ένα ή περισσότερα σημεία αγκύρωσης, να προσδιορίζεται κάθε αγκύριο με έναν αριθμό που να αναφέρεται στη καρτέλα αναγνώρισης και ελέγχου, και στον ενδεικτικό χάρτη εγκατάστασης.

5.7 - ΣΗΜΑΝΣΕΙΣ EN 959:2007. Οι τρόποι χρήσεως ορίζονται στην εικόνα (Εικ. 7.3 – 7.6). Για να γίνει η σύνδεση με την οπή του αγκυρίου πρέπει να χρησιμοποιηθεί ένας συνδετήρας συμβατός με την οδηγία EN 12275.

6) ΠΕΡΙΟΔΙΚΟΣ ΕΛΕΓΧΟΣ. Τουλάχιστον κάθε 12 μήνες (6 μήνες για χρήση στη θάλασσα) είναι απαραίτητος ένας ενδελχής έλεγχος της συσκευής από τον κατασκευαστή ή από αρμόδιο προσωπικό ειδικά εξουσιοδοτημένο από τον ίδιο τον κατασκευαστή. Αυτή η συχνότητα μπορεί να μεταβληθεί σε συνάρτηση της συχνότητας και της έντασης χρήσης. Οι τακτικοί περιοδικοί έλεγχοι είναι απαραίτητοι για να εξασφαλιστεί η αποτελεσματικότητα και ανθεκτικότητα της συσκευής, από τις οποίες εξαρτάται η ασφάλεια του χρήστη. Τα αποτελέσματα των ελέγχων θα πρέπει να αναγράφονται στην ειδική καρτέλα που παρέχεται και πρέπει να συνοδεύει κάθε συσκευή. **Προσοχή!** Στην περίπτωση που η καρτέλα δεν υπάρχει ή αν είναι δυσανάγνωστη, αποφύγετε την χρήση. **Καρτέλα αναγνώρισης της συσκευής (Εικ. Α):** Α) Εμπορικό σήμα • Β) Κατασκευαστής • C) Προϊόν (τύπος, μοντέλο, κωδικός) • D) Χρήστης (εταιρεία, επωνυμία και διεύθυνση) • E) Αριθμός σειράς/παρτίδα • F) Έτος κατασκευής • G) Ημερομηνία αγοράς • H) Ημερομηνία πρώτης χρήσης • I) Ημερομηνία λήξης • L) Πρότυπα αναφοράς • M) Εργαστήριο που πραγματοποίησε τις δοκιμές συμμόρφωσης. **Καρτέλα περιοδικού ελέγχου της συσκευής (Εικ. Β):** O) Ημερομηνία P) Αιτία ελέγχου: περιοδικός ή έκτακτος έλεγχος • Q) Όνομα και υπογραφή του υπεύθυνου ελεγκτή • R) Σημειώσεις (ελαττώματα που εντοπίστηκαν, επισκευές που έγιναν ή άλλες σχετικές πληροφορίες) • S) Αποτέλεσμα ελέγχου: συσκευή κατάλληλη για χρήση, συσκευή ακατάλληλη για χρήση ή συσκευή για επανέλεγχο • T) Ημερομηνία της επόμενης επιθεώρησης. **Προσοχή!** Συνιστάται να σημειωθεί το αγκύριο με την ημερομηνία του τελευταίου ή του επόμενου ελέγχου (π.χ. με μία ανεξίτηλη ετικέτα που να μην αλλοιώνει τη δομή του αγκυρίου).

说明书包括通用说明和专用说明，使用前必须仔细阅读两部分。注意！此页只包含专用说明。挂片/锚点螺栓/保护站专用说明。

专用说明 挂片/锚点螺栓/保护站。

1) 使用范围。EN795: 2012 A类: 锚点设备, 仅限单人使用。EN 959: 2007 和UIAA-123: 用于攀岩进行止坠的锚点。注意！锚点由膨胀栓和挂片组成。安装锚点时要按照图表中相应的挂片和螺栓安装(图3), 为了能达到最小的强度(图3)你必须按照能够兼容的挂片和螺栓进行安装, 其已经经过了标准测试。注意！一个下降保护点或锚点的定义是由两个正确安装的锚点组成。

2) 组成部分(图1)。A) 安装螺栓的孔; B) 挂片; C) 环(只有4A213 / 4A218 型号有); D) 锚点环; E) 连接链; F) 锚点锁扣, 锚点系统举例(图1.4): G) 金属结构; H) 岩石或混凝土结构。I) 可拆卸螺栓(螺丝, 螺母和垫片); L) 不可拆卸螺栓(螺丝, 螺母和垫片)。M) 固定螺母。N) 垫片。O) 螺栓。

3) 标记。设备上刻有以下信息(图2): 1) 符合的法规/标准。2) 生产商或品牌商名称。3) 孔的直径。4) 产品型号。5) 说明该产品只能同时承担一个人的工作重量。6) 材料(AISI316不锈钢/AISI904L)。7) 锚点的最小保证强度(图3/7.1)。8) 提醒用户在使用设备前认真阅读说明书的logo。9) 批号(BB)和生产年份(Y Y)。

4) 检查。每次使用前检查: 无磨损, 裂纹, 腐蚀或形变等痕迹; 螺帽拧紧; 挂片连接孔的边缘无锋利边缘或切割; 锚点设备上无污损(如泥沙等)。

4.1-EN 795: 2012检查。每次使用前需要: 确保所有设备标准都是正确的, 并且工作状态良好; 确保每件设备的维护记录正确填写和更新; 仔细制定正确的接近途径, 采用合适的设备, 并且配有紧急救援预案用于救援被困的作业人员; 检查最小净空距离, 防止作业者发生坠落撞在地面或障碍物上。注意！如果挂片受到了冲击应该停止继续使用, 并更换。

5) 安装/使用。当选择位置安装时, 需要认真评估支撑面的质量和状况(见5.1), 与其他部件的兼容性和外部影响因素(例如沿海的位置), 寿命(见5.2), 天气状况, 外部温度(-40℃至80℃)和可能的电流(和岩石, 水泥和土质的种类)。

5.1-支撑。挂片自身的强度是确定的(图3-7.1), 然而实际的支撑结构强度可能要比测试时的水泥强度低(压缩强度50N/mm²), 所以锚点的强度是无法保证的。注意！较软的岩石(如砂岩, 砾岩等)或不坚固的岩石(存在裂缝, 孔洞等)其强度会低于产品的最低断裂强度。

在这种情况下, 为了达到需要的强度, 可以使用更长的螺栓或选择更结实的位置安装(首先选择这种方法)。在某些情况下可以对不同型号或长度的螺栓进行强度测试。

5.2-寿命。腐蚀会严重影响寿命和断裂负荷。当挂片材料和螺栓的材料不同时可能会发生腐蚀(电化学腐蚀), 所以按照EN 959标准, 岩石锚点的所有部分都采用同样的材料。所以只有螺母/螺栓采用相同不锈钢才能一起使用。(AISI 316L和HCR AISI 904L / AISI 926钢)。注意！在海洋环境下会增加腐蚀, 锚点的寿命会严重下降, 对挂片和锚点系统的检查频率必须增加(每6个月)。注意！海水的腐蚀性甚至可在沿海数公里内的地方发生。

5.3-HCR系列。HCR型号采用HCR高耐腐蚀性不锈钢制造(AISI 904L, AISI 926等)。它们非常适合用于高腐蚀性环境(如沿海的岩壁上), 这种情况下锚点会遇到压力腐蚀(压力腐蚀裂纹)。注意！4A10712挂片只能用于4A108110螺栓。注意！关于寿命根据第二段的说明。

挂片的安装必须在有能力的人员或机构安装, 并进行适当的检查。在岩壁或混凝土上安装时按照以下步骤: 检查要设置锚点的位置的质量, 岩石致密且为一个整体; 用合适的直径钻一定深度的孔(图5.1); 用吹风球(图5.2)和刷子(图5.3)完全清理孔里的灰尘; 将带有挂片的螺栓敲入孔中(图5.4); 使用扳手拧紧, 拧紧到适当的扭力(图5.5)。每次安装后, 确保快挂能在挂片中自由的活动(图5.5)。使用和挂片相适应的螺母(例如, 12mm的挂片使用12mm的螺母)。注意！如果螺丝拧出的太多, 会阻碍快挂的自由活动(最大4mm-图5.5)。挂片可以通过卸下膨胀栓上的螺母拆除, 拆下挂片检查无任何损坏可以继续使用。注意！如果将挂片在其他地方使用, 用扳手拧紧螺母, 拧到合适的扭力。注意！4A10308挂片不符合EN 959 和 EN 795 type A标准。注意！确定与锚点连接的其他设备(绳索, 快挂, 定位系统等)不会与锋利边缘磨损)。

5.5-安装保护站。保护站的安装定位(型号4A218, 4A219, 4A221), 按照图示中有两个锚点间的最大距离(图5.8)安装, 安装步骤按照段落5.3。注意！安装时4A218, 4A221 和 4A222必须与4A105090螺栓安装, 4A21812, 4A22112 和4A22212与4A106110螺栓安装。

5.6-EN 959: 2007警告。任何在高度超过2m的活动都必须使用个人防护设备(PPE)作为防坠落保护。进入工作面前分析所有风险因素(环境, 直接原因和间接原因)。锚点只能单人使用, 使用带有上锁系统的EN 362标准的主锁连接挂片孔(图7.2)。当锚点作为防坠落系统的一部分时: 使用者必须使用能将冲击力降低至6kN或更低的设备; 为了安全, 必须经常检查受力位置是否正确, 按照正确的工作方式进行, 以降低坠落的风险和坠落的高度; 唯一的固定身体的设备是符合EN 361标准的安全带, 锚点系统建议安装在使用者以上的位置, 并且符合EN795标准(最小强度12kN)。注意！如果锚点发生形变或弯曲, 不要继续使用, 立即更换。注意！锚点设备只用于防坠落系统, 不用于吊装重物。安装注意事项。如果在锚点旁添加标记, 确定所有的标记都是可以接近以及符合规定的。使用者必须持有安装文件的副本, 并

且保存在工作地点。其包含了正确的安装和锚点的维护。此文件要求定期对锚点进行检查。安装文件必须至少包含以下内容: A) 标记锚点的位置; B) 安装后的强度信息; C) 安装人员的姓名; D) 锚点产品信息(生产商, 类型, 型号...); E) 螺栓的信息(设置人员, 产品型号, 最大的扭力和剪切力...); F) 安装图示(如屋顶), 锚点的位置(例如在下雪覆盖后, 方便使用者找到锚点的位置)。这个图示必须在建筑物或工作的地方公示出来, 并能让所有人看到。安装者需要签署其安装的锚点的文件, 其包括: A) 按照生产商的要求安装; B) 按照安全预案安装; C) 安装在符合要求的结构上; D) 按照要求安装(图螺栓的数量, 正确的材料, 正确的位置...); E) 需要提供照片文件(特别是当安装后无法看到固定部件和结构的)。注意！建议当设置超过一个锚点时, 每个锚点应该编号和记录在管理清单和图示中用于区分。

5.7-EN959: 2007警告。有关使用图示(图7.3-7.6)。连接锚点孔的锁扣必须符合EN12275。

6) 周期检查。至少每12个月(或在海洋环境下使用6个月后), 要对设备进行一次全面的严格检查, 检查由生产商或生产商认证的专业人员进行。检查周期要根据使用的频率来定。进行周期检查是为了保证设备继续使用的耐久性和效率, 同时也是保证使用者的安全。检查结果必须记录在随设备附带的表格上, 并始终与设备放在一起。警告！当表格丢失或不合格, 不要继续使用该设备。设备说明表(图A): A) 商标; B) 生产商; C) 产品(类型, 型号, 代码); D) 使用者(公司, 姓名, 地址); E) 系列号/批号; F) 生产年份; G) 购买时间; H) 第一次使用时间; I) 过期时间; L) 相关标准; M) 实验室进行标准测试。设备周期检查表(图B): O) 时间; P) 检查原因: 定期检查或额外检查; Q) 检查人员签名; R) 记录(发现缺陷, 修理或相关信息); S) 检查结果: 设备适合继续使用, 设备不适合继续使用或设备需进一步检查; T) 下次检查时间。注意！建议在锚点旁注明下次检查的时间(如在不改变锚点结构的同时添加信息卡片)。